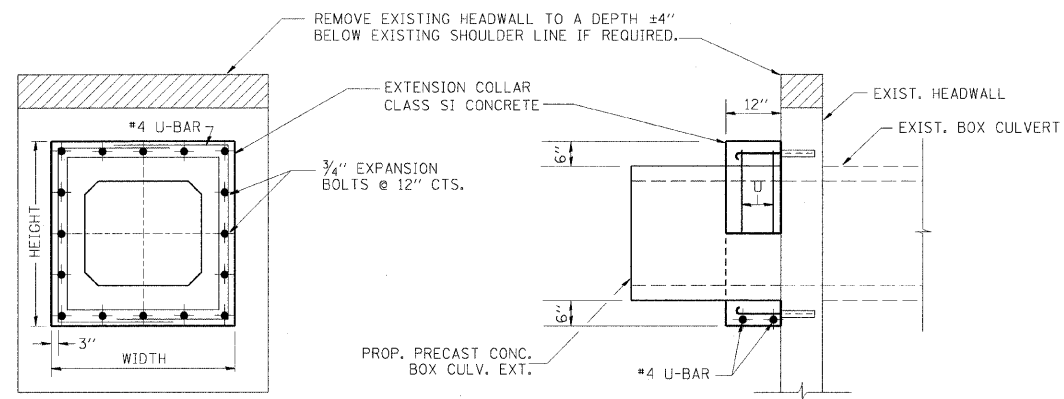


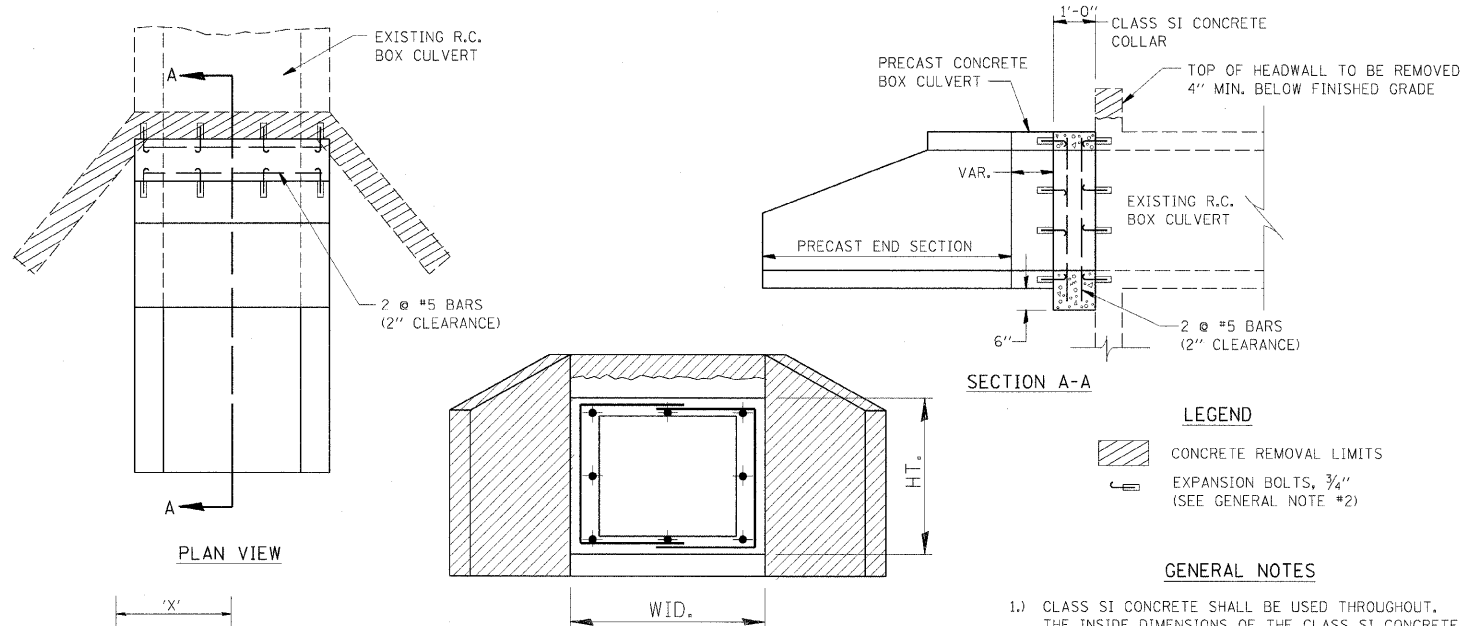
F.A.I. RTE.	SECTION	COUNTY	TOTAL SHEETS	SHEET NO.
80	(50-3)HBK	LASALLE	492	310
STA.		TO STA.		
FED. ROAD DIST. NO.		ILLINOIS	FED. AID	PROJECT



EXPANSION BOLTS SHALL CONSIST OF SELF DRILLING EXPANSION SHIELDS AND 3/4" DIA. HOOKED BOLTS. HOOKED BOLTS SHALL EXTEND A MINIMUM OF 9" INTO NEW CONCRETE. BOLTS SHALL BE DRILLED IN THE CENTER OF THE EXISTING BOX CULVERT BARREL WALLS. MINIMUM CERTIFIED PROOF LOAD = 4,080 LBS.

LOCATION	EXISTING CULVERT SIZE FT. x FT.	PRECAST CULVERT EXTENSION FT. x FT.	EXTENSION COLLAR		U-BAR		CONC. COLLAR CU. YD.	REINFORCEMENT BARS POUND	3/4" DIA. EXPANSION BOLTS EACH
			WIDTH IN.	HEIGHT IN.	'X' IN.	'Y' IN.			

COLLAR DETAIL (PRECAST BOX CULVERT EXTENSION OF BOX CULVERT)



**LEGEND**  
 CONCRETE REMOVAL LIMITS  
 EXPANSION BOLTS, 3/4" (SEE GENERAL NOTE #2)

**GENERAL NOTES**

- 1.) CLASS SI CONCRETE SHALL BE USED THROUGHOUT. THE INSIDE DIMENSIONS OF THE CLASS SI CONCRETE COLLAR SHALL BE THE SAME AS THE NEW PRECAST CONCRETE BOX CULVERT.
- 2.) EXPANSION BOLTS SHALL CONSIST OF SELF DRILLING EXPANSION SHIELDS AND 3/4" HOOKED BOLTS. HOOKED BOLTS SHALL EXTEND A MINIMUM OF 9" INTO NEW CONCRETE. BOLTS SHALL BE PLACED IN EACH CORNER AND AT 18" MAXIMUM CENTERS. MINIMUM CERTIFIED PROOF LOADING = 4,080 LBS.

LOCATION	EXISTING CULVERT SIZE FT. x FT.	PRECAST CULVERT EXTENSION IN.	U-BAR		S.I. CONC. COLLAR CU. YD.	REINFORCEMENT BARS POUND	3/4" DIA. EXPANSION BOLTS EACH
			'X' IN.	'Y' IN.			
346	4 X 3		3.08	4.30	0.38	43.76	12
347	4 X 3		3.08	4.30	0.38	43.76	12

COLLAR DETAIL (PRECAST BOX CULVERT EXTENSION OF BOX CULVERT)

REVISIONS	
NAME	DATE

ILLINOIS DEPARTMENT OF TRANSPORTATION

BOX CULVERT EXTENTION  
DETAIL

SCALE: VERT. N/A  
HORIZ. N/A  
DATE

DRAWN BY IDOT  
CHECKED BY MTM