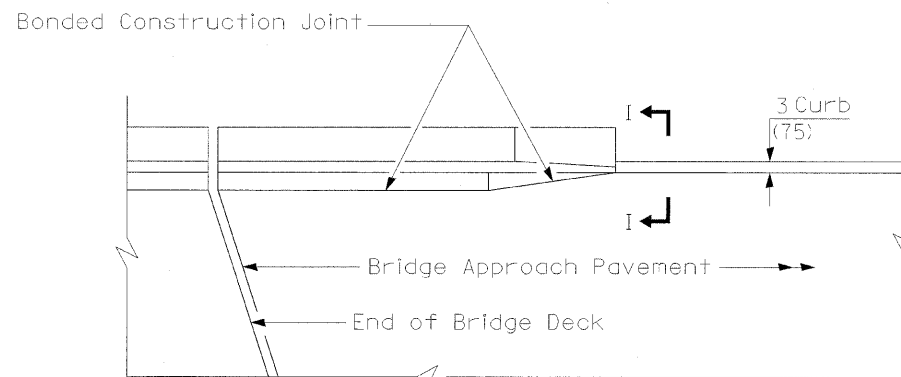
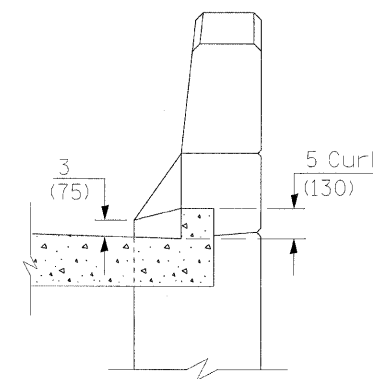


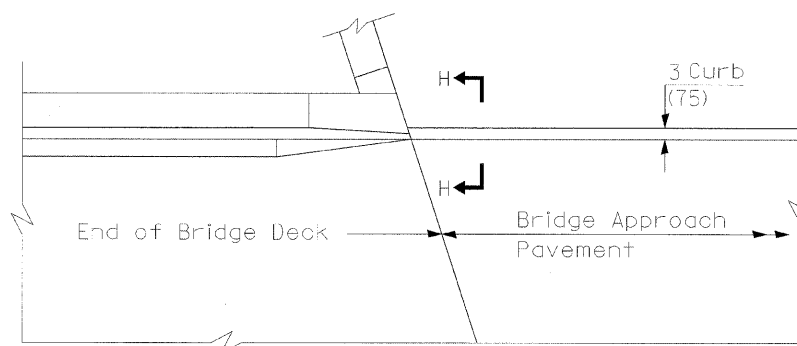
F.A.I. RTE.	SECTION	COUNTY	TOTAL SHEETS	SHEET NO.
80	150-31HBK	LASALLE	492	324
STA.		TO STA.		
FED. ROAD DIST. NO.	ILLINOIS	FED. AID PROJECT		



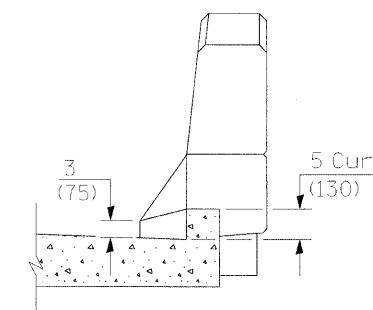
PARAPET TO CURB TRANSITION
PILE BENT ABUTMENT



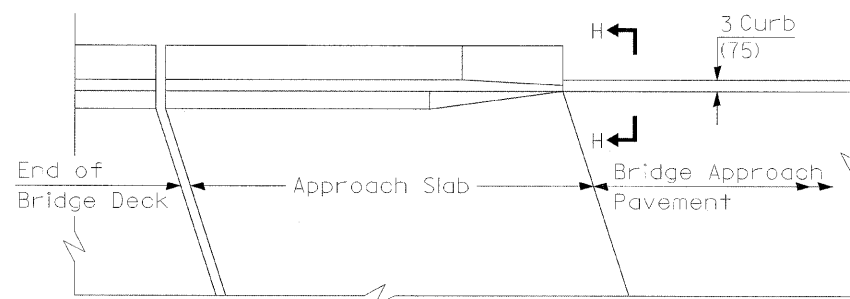
SECTION I - I



PARAPET TO CURB TRANSITION
INTEGRAL ABUTMENT



SECTION H - H



PARAPET TO CURB TRANSITION
VAULTED ABUTMENT

REVISIONS	
NAME	DATE

ILLINOIS DEPARTMENT OF TRANSPORTATION

BRIDGE APPROACH PAVEMENT
DETAILS
SHEET 4 OF 4

SCALE: VERT.
HORIZ.
DATE

DRAWN BY
CHECKED BY

© Copyright Hanson Professional Services Inc. 2009
HANSON
Hanson Professional Services Inc.
1525 South Sixth Street
Springfield, Illinois 62703-2886
Offices Nationwide

MODEL NAME = RP Detail Sh. 4
PLOT DATE = 12/23/2009
PLOT SCALE = 3/8"=1'-0"
USER NAME = JohnM02944

LAYOUT	01/13/06
DRAWN	01/13/06
REVIEWED	10/17/07