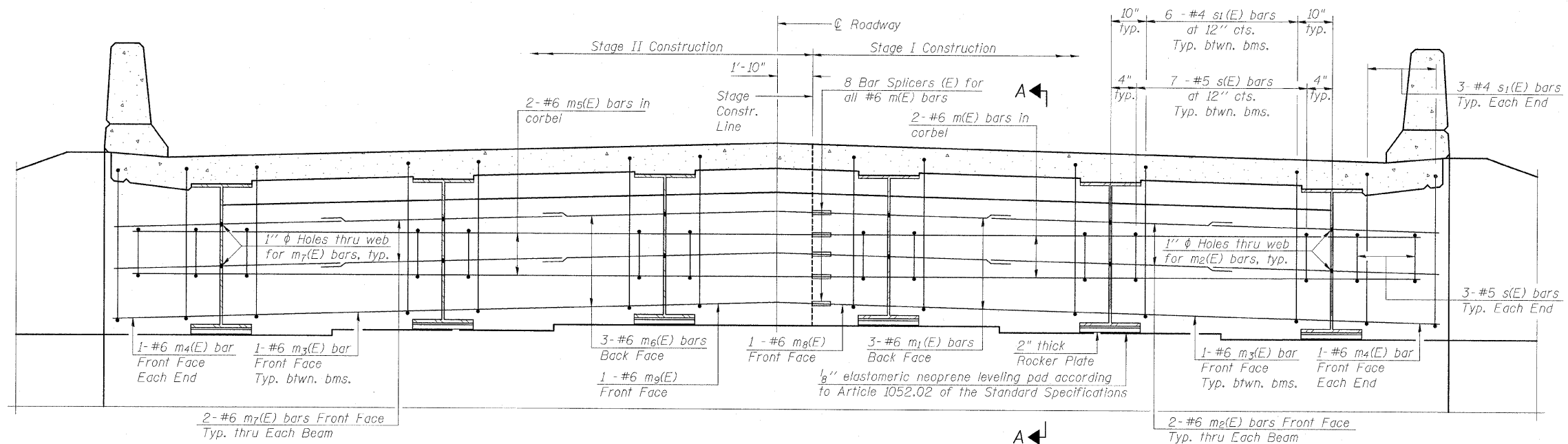


STATE OF ILLINOIS  
DEPARTMENT OF TRANSPORTATION

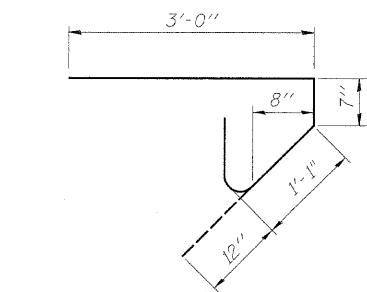
ROUTE NO.	SECTION	COUNTY	TOTAL SHEETS	SHEET NO.	SHEET NO. 10 OF 23 SHEETS
S. B. I. P. A.	(3)BR-1	LASALLE	44	20	
FED. ROAD DIST. NO. 7	ILLINOIS	FED. AID PROJECT	CONTRACT NO. 66619		



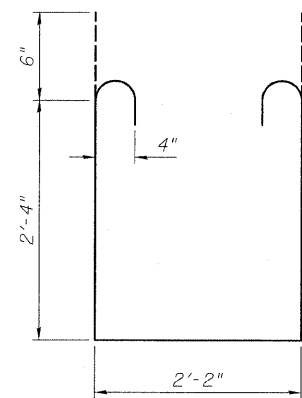
DIAPHRAGM ELEVATION AT ABUTMENT  
(Looking West at West Abutment)

Notes:  
Reinforcement bars in diaphragm are billed with superstructure on sheet 9 of 23.  
Concrete in diaphragm is included with Concrete Superstructure on sheet 9 of 23.  
The s(E) and s<sub>1</sub>(E) bars shall be placed parallel to the beams. Spacing for these bars shall be at right angles to the beams.

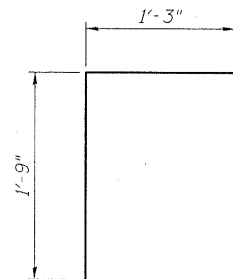
MIN. BAR LAP  
#6 bar = 2'-9"



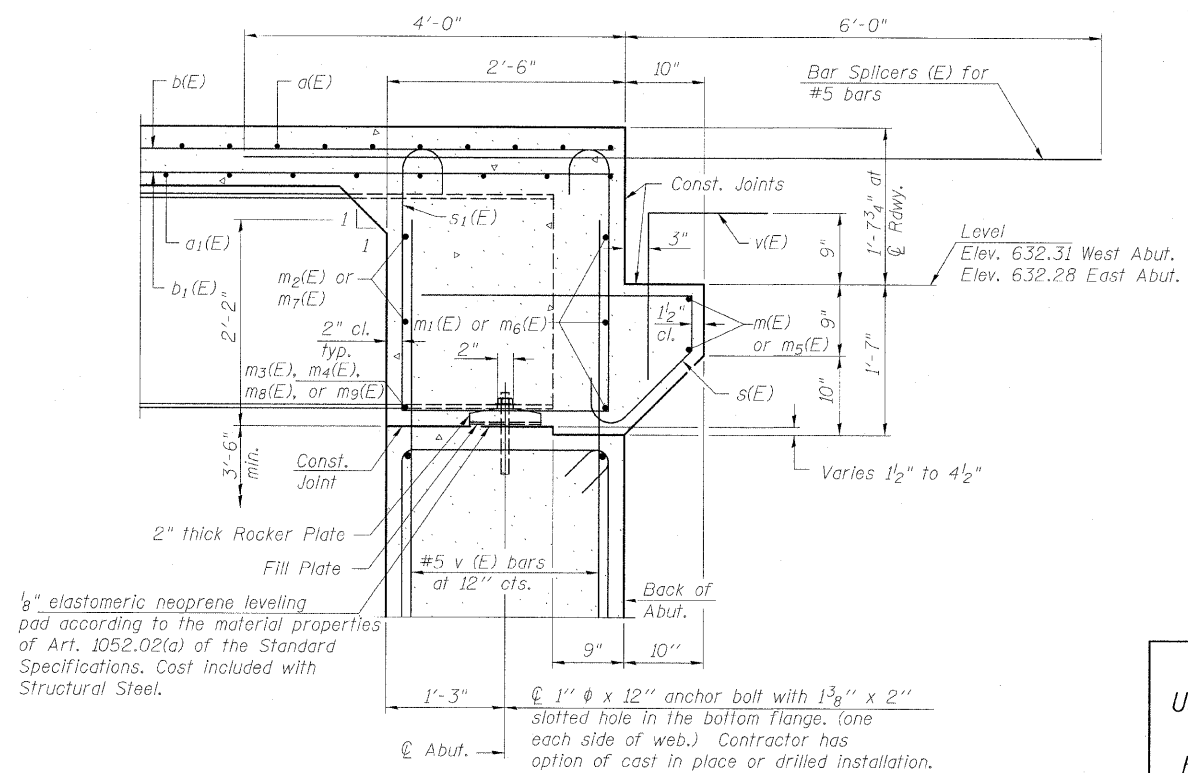
BAR s(E)



BAR s<sub>1</sub>(E)



BAR v(E)



SECTION A-A

DIAPHRAGM DETAILS  
US ROUTE 52 AND IL ROUTE 23 OVER  
CROOKED LEG CREEK  
F.A.P. ROUTE 68 SECTION (3) BR-1  
LASALLE COUNTY  
STATION 419+80.00  
STRUCTURE NUMBER 050-0240