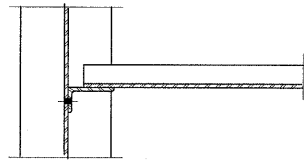


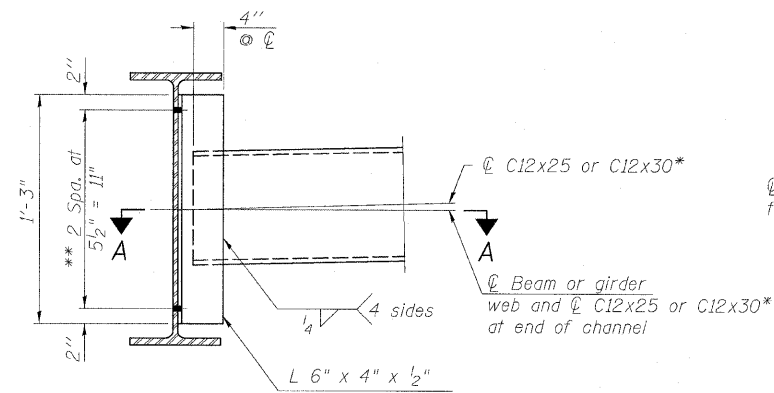
STATE OF ILLINOIS
DEPARTMENT OF TRANSPORTATION

ROUTE NO.	SECTION	COUNTY	TOTAL SHEETS	SHEET NO.	SHEET NO. 13 OF 23 SHEETS
S. R. I. F. A.	(3) BR-1	LASALLE	44	23	
FED. ROAD DIST. NO. 7	ILLINOIS	FED. AID PROJECT	CONTRACT NO. 66619		

All cross frames or diaphragms shall be installed as steel is erected and secured with erection pins and bolts except as otherwise noted. Individual cross frames or diaphragms at supports may be temporarily disconnected to install bearing anchor rods.



SECTION A-A

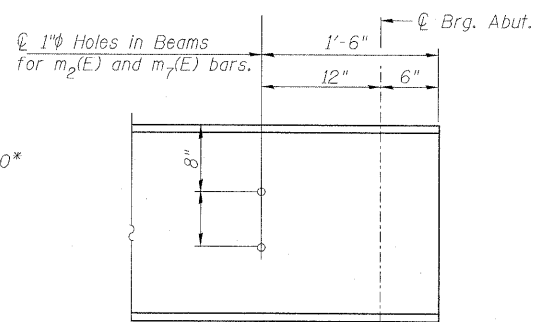


INTERIOR DIAPHRAGM D

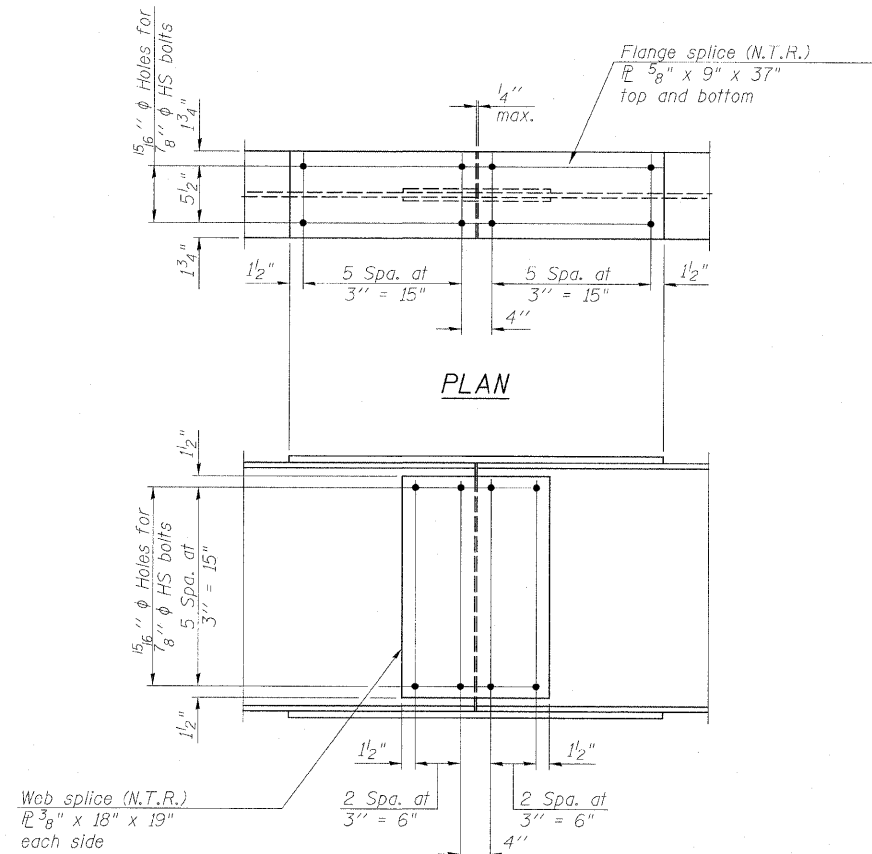
Note:

Two hardened washers required for each set of oversized holes.

- * Alternate channels are permitted to facilitate material acquisition. Calculated weight of structural steel is based on the lighter section.
- ** 3/4" ϕ HS bolts, 5/16" ϕ holes



TYP. END OF BEAM ELEVATION



ELEVATION

SPLICE DETAIL
(12 Required)

See Sheet 12 of 23 for N.T.R. note.

FRAMING DETAILS
US ROUTE 52 AND IL ROUTE 23 OVER
CROOKED LEG CREEK
F.A.P. ROUTE 68 SECTION (3) BR-1
LASALLE COUNTY
STATION 419+80.00
STRUCTURE NUMBER 050-0240