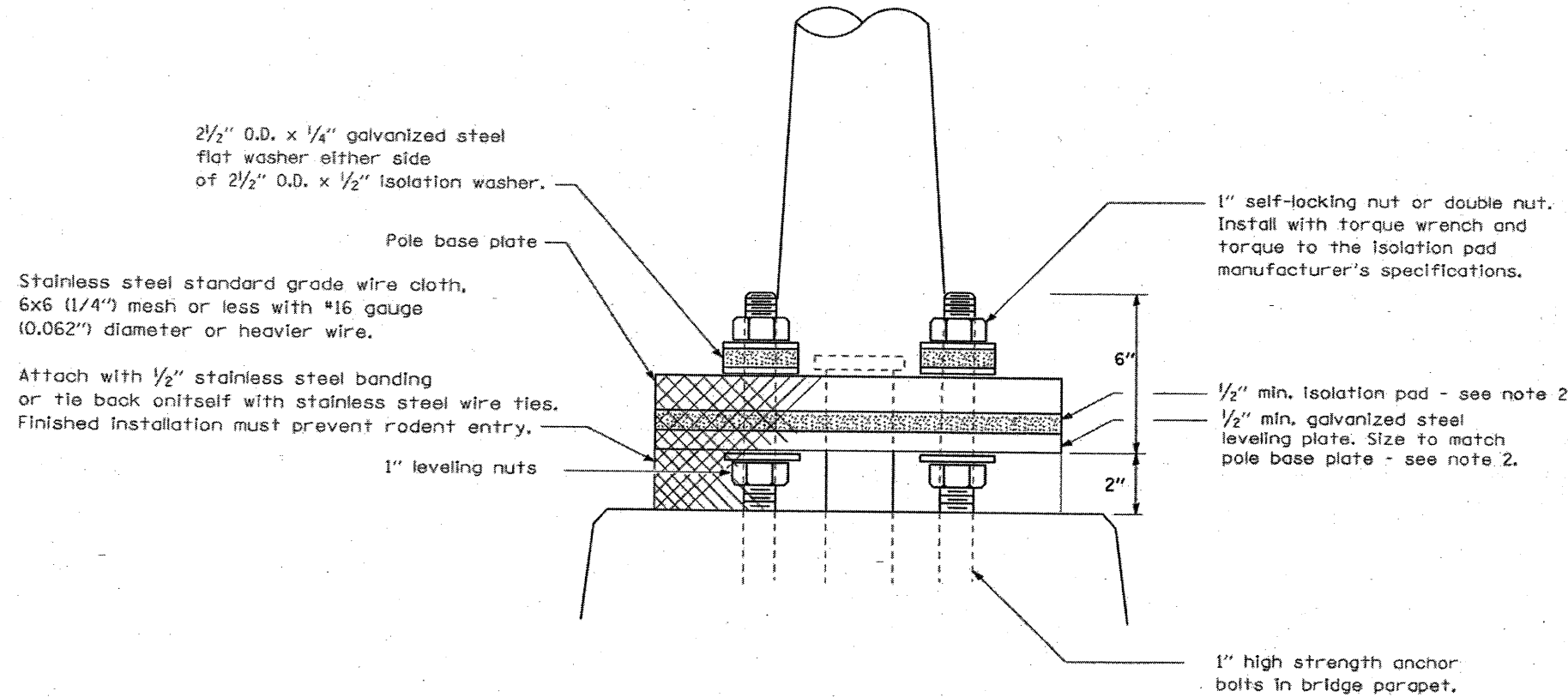


CONTRACT NO. 66645

F.A. RTE.	SECTION	COUNTY	TOTAL SHEETS	SHEET NO.
I-80	50-8HBR	LASALLE	143	56
STA.		TO STA.		
FED. ROAD DIST. NO. 3				



2 1/2" O.D. x 1/4" galvanized steel flat washer either side of 2 1/2" O.D. x 1/2" isolation washer.

Pole base plate

Stainless steel standard grade wire cloth, 6x6 (1/4") mesh or less with #16 gauge (0.062") diameter or heavier wire.

Attach with 1/2" stainless steel banding or tie back on itself with stainless steel wire ties. Finished installation must prevent rodent entry.

1" leveling nuts

1" self-locking nut or double nut. Install with torque wrench and torque to the isolation pad manufacturer's specifications.

1/2" min. isolation pad - see note 2.

1/2" min. galvanized steel leveling plate. Size to match pole base plate - see note 2.

1" high strength anchor bolts in bridge parapet.

Pole Mounted on Bridge Parapet Detail

GENERAL NOTES

- Locate poles over bridge piers where possible.
- The vibration isolation pad and leveling plate shall match the footprint of the pole base plate.
- Thickness of isolation pad and washers shall be according to the isolation pad manufacturer's recommendations based upon pole height and loading.
- Should the length of the exposed anchor bolts be too short on an existing bridge to mount the poles as shown, then the leveling plate shall be mounted directly on the concrete and leveled with stainless steel washers. Remove concrete as directed by the Engineer to fully thread the top nut.

All dimensions are in millimeters (inches) unless otherwise shown.

DATE	REVISIONS
7/31/08	Updated

POLE MOUNTED ON BRIDGE PARAPET