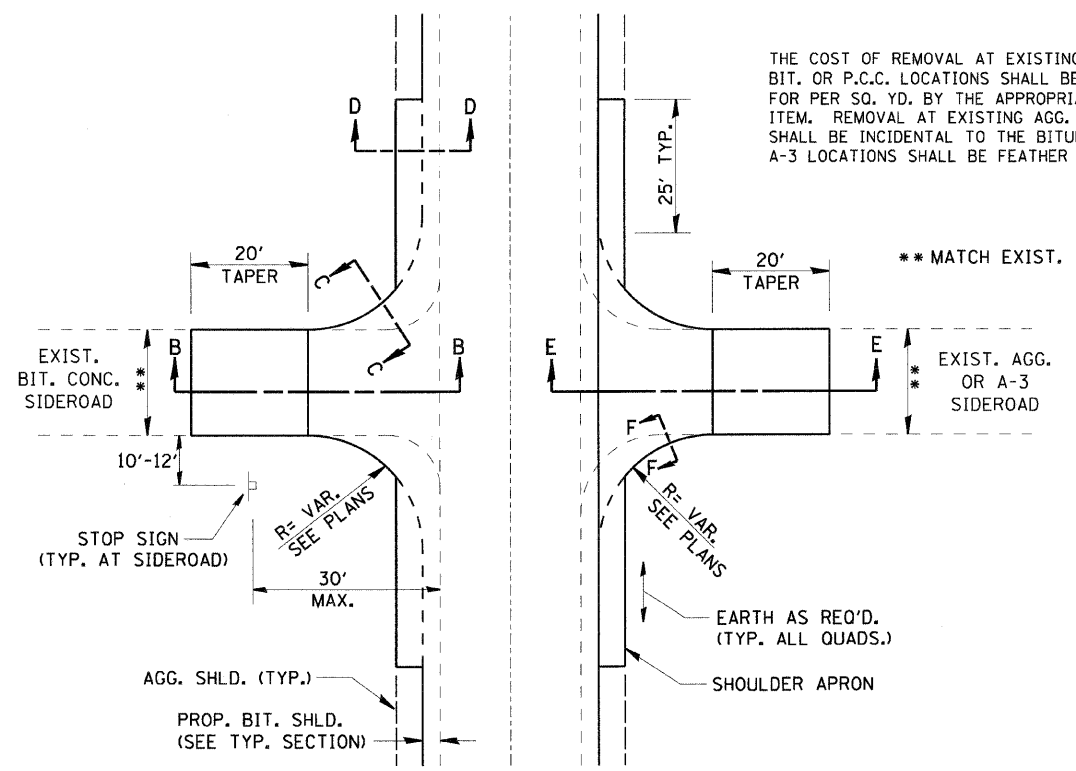
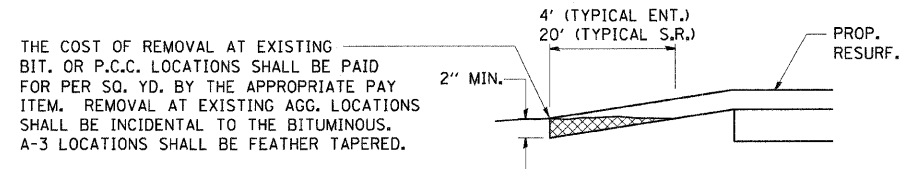


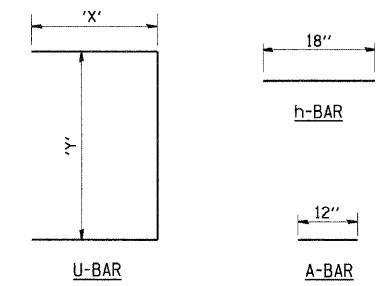
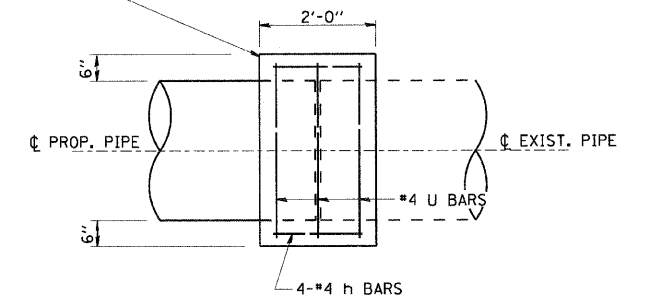
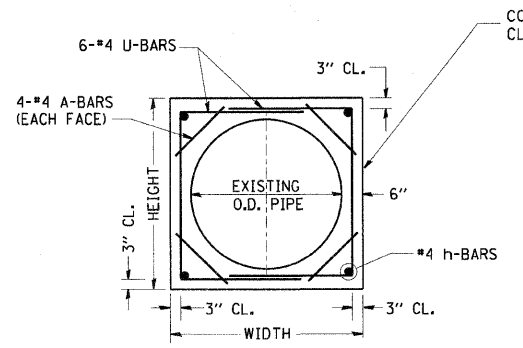
F.A.U. RTE.	SECTION	COUNTY	TOTAL SHEETS	SHEET NO.
I-80	50-8 HBR	LASALLE	143	104
STA.	TO STA.			
FED. ROAD DIST. NO. 3 ILLINOIS FED. AID PROJECT				



SIDEROAD DETAIL



DETAIL A

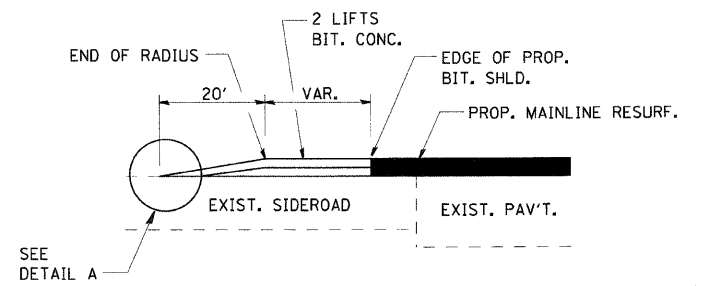


LOCATION	EXISTING CULVERT SIZE	EXTENSION COLLAR		A-BAR		U-BAR		h-BAR	CONC. COLLAR	REINFORCEMENT BARS
		WIDTH	HEIGHT	12	'X'	'Y'	18			
A	2' DIA	36"	36"	12"	23"	30"	18"	0.5	0.5	35
B	2' DIA	36"	36"	12"	23"	30"	18"	0.5	0.5	35

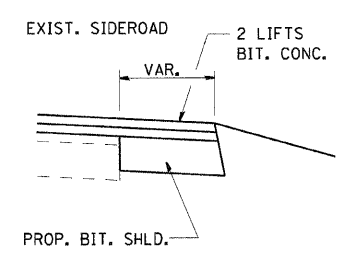
COLLAR DETAIL (DIRECT PIPE CULVERT EXTENSION)

542-3

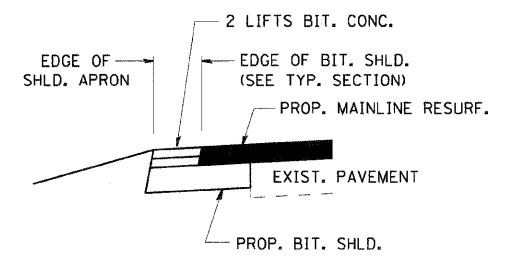
- Ⓐ 3885+63.39, 74.5 LT
- Ⓑ 3886+58.57, 74.5 LT



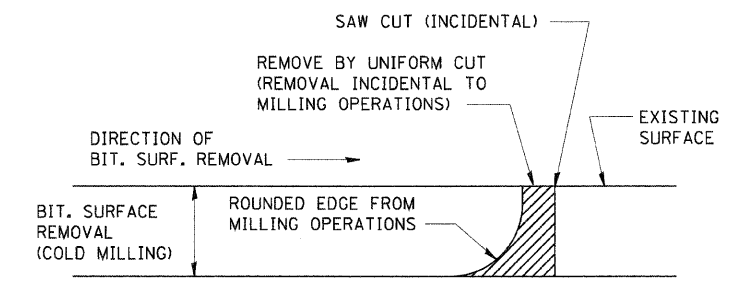
SECTION B-B



SECTION C-C



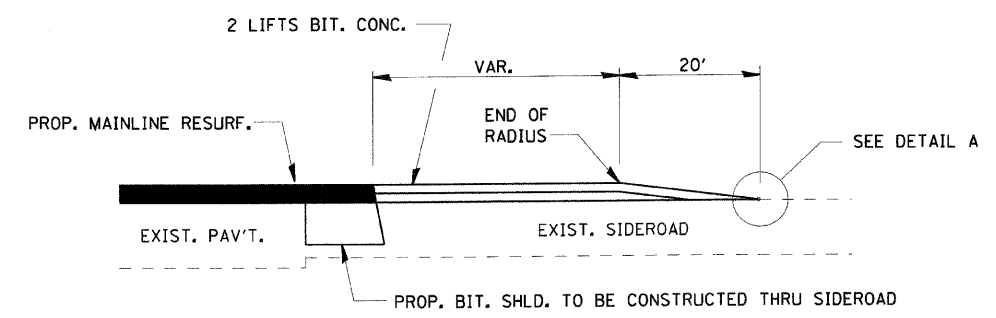
SECTION D-D



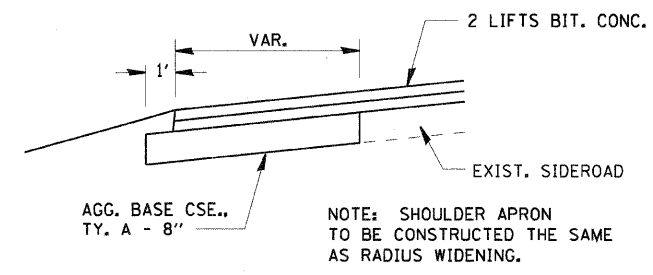
NOTE: WHEN MILLING OPERATIONS PRODUCE A ROUNDED EDGE, THEN A SAW CUT SHALL BE USED TO MANUFACTURE A PERPENDICULAR EDGE AS SHOWN IN THE DETAIL. THE ENGINEER SHALL BE THE SOLE JUDGE CONCERNING THE USE OF THIS DETAIL

BITUMINOUS DETAIL AT BUTT JOINTS

406-8



SECTION E-E



SECTION F-F

REVISIONS	
NAME	DATE

ILLINOIS DEPARTMENT OF TRANSPORTATION
FAI ROUTE 80 UNDER FAU 6097 (PLANK ROAD)

DISTRICT 3 DETAILS

SCALE: VERT. NONE
HORIZ. N.T.S.
DATE: 12/02/09

DRAWN BY ENTRAN/CAD
CHECKED BY TMH

PLOT DATE = 2/14/2010
 FILE NAME = G:\projects\2005\4069_001\cadd\PL\dist3\403.dwg
 PLOT SCALE = 1/8" = 1'-0"
 USER NAME = zptmhd

