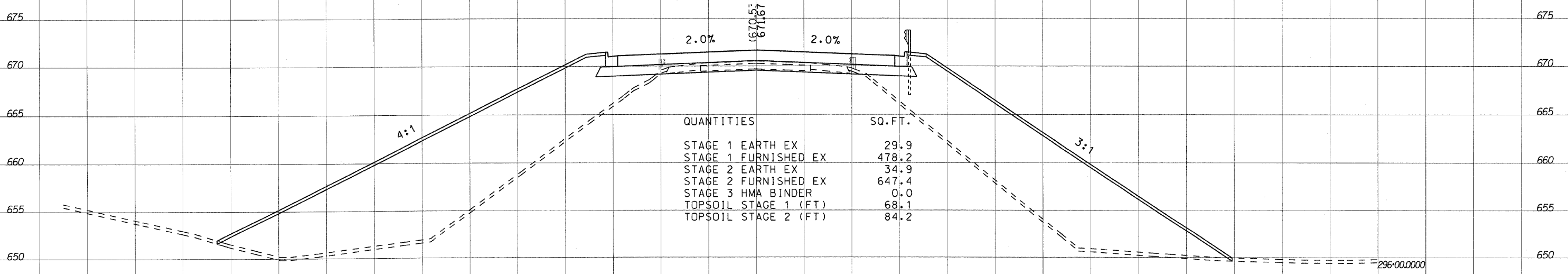
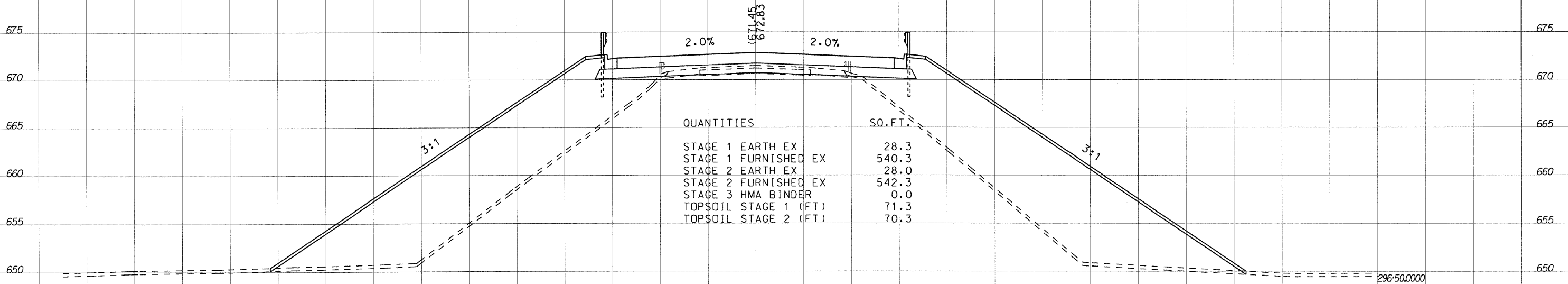


F.A. RTE.	SECTION	COUNTY	TOTAL SHEET NO.
	50-8 HBR	LASALLE	143 116
STA. 296+00.0000 TO STA. 296+50.0000			
FED. ROAD DIST. NO.		ILLINOIS FED. AID PROJECT	

CL PLANK ROAD



PLANK ROAD

SCALE: HW 10:5

DATE: _____
 BY: _____
 SURVEYED: _____
 PLOTTED: _____
 NOTE BOOK: _____
 AREAS CHECKED: _____

DATE: _____
 BY: _____
 SURVEYED: _____
 PLOTTED: _____
 NOTE BOOK: _____
 AREAS CHECKED: _____

PLOT DATE: 2/4/2010
 PLOT SCALE: 1/8" = 10.0000'
 USER NAME: zprand