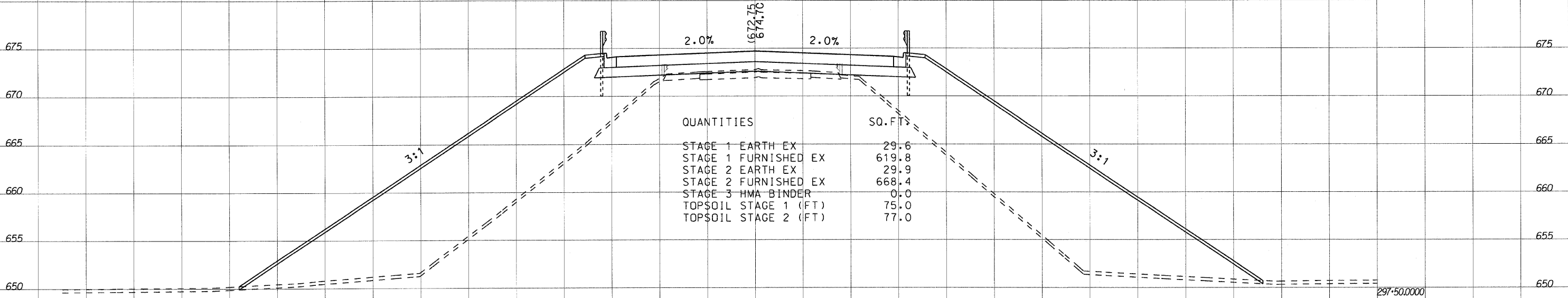
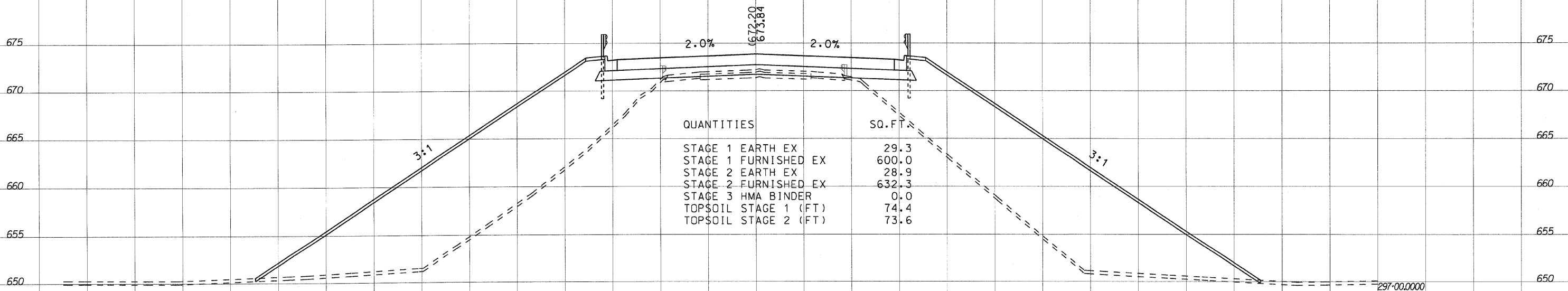


F.A. RTE.	SECTION	COUNTY	TOTAL SHEETS	SHEET NO.
	50-8 HBR	LASALLE	143	117
STA. 297+00.0000 TO STA. 297+50.0000				
FED. ROAD DIST. NO.		ILLINOIS FED. AID PROJECT		

CL PLANK ROAD



QUANTITIES	SQ. FT.
STAGE 1 EARTH EX	29.6
STAGE 1 FURNISHED EX	619.8
STAGE 2 EARTH EX	29.9
STAGE 2 FURNISHED EX	668.4
STAGE 3 HMA BINDER	0.0
TOPSOIL STAGE 1 (FT)	75.0
TOPSOIL STAGE 2 (FT)	77.0



QUANTITIES	SQ. FT.
STAGE 1 EARTH EX	29.3
STAGE 1 FURNISHED EX	600.0
STAGE 2 EARTH EX	28.9
STAGE 2 FURNISHED EX	632.3
STAGE 3 HMA BINDER	0.0
TOPSOIL STAGE 1 (FT)	74.4
TOPSOIL STAGE 2 (FT)	73.6

BY: \_\_\_\_\_ DATE: \_\_\_\_\_  
 SURVEYED \_\_\_\_\_  
 PLOTTED \_\_\_\_\_  
 CHECKED \_\_\_\_\_  
 NO. \_\_\_\_\_

BY: \_\_\_\_\_ DATE: \_\_\_\_\_  
 SURVEYED \_\_\_\_\_  
 PLOTTED \_\_\_\_\_  
 CHECKED \_\_\_\_\_  
 NO. \_\_\_\_\_

PLOT DATE = 2/4/2009  
 PLOT SCALE = 1"=40.0000'  
 USER NAME = zprnmtd