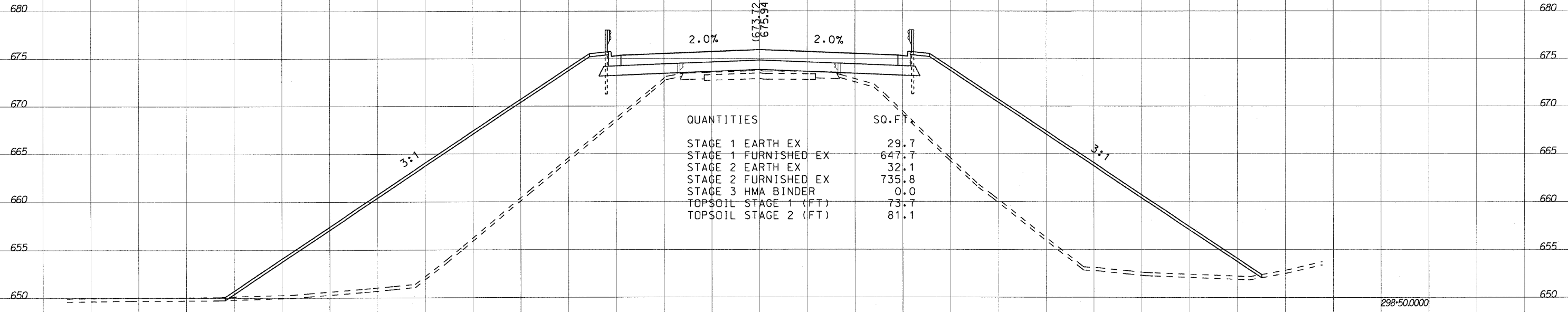


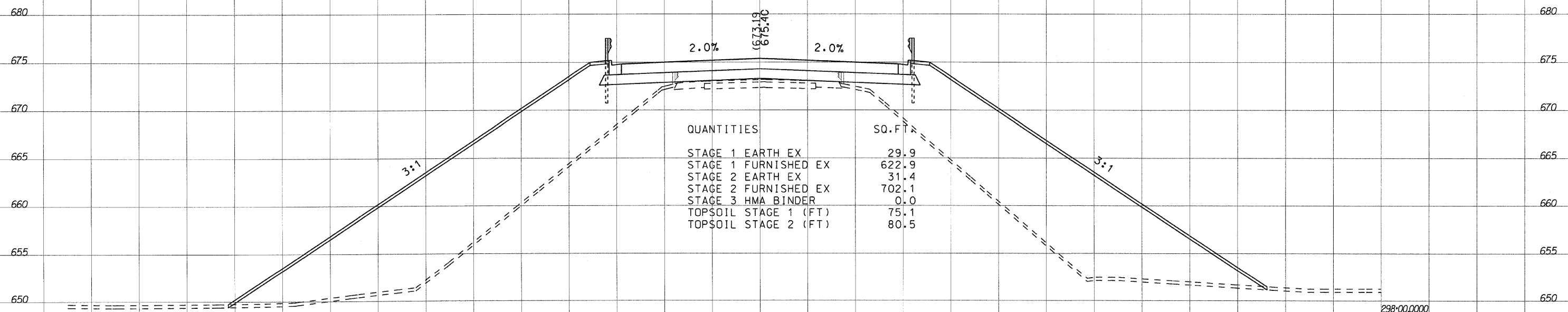
F.A. RTE.	SECTION	COUNTY	TOTAL SHEETS	SHEET NO.
	50-8 HBR	LASALLE	143	118
STA. 298+00.0000 TO STA. 298+50.0000				
FED. ROAD DIST. NO. ILLINOIS FED. AID PROJECT				

CL PLANK ROAD



QUANTITIES SQ. FT

STAGE 1 EARTH EX	29.7
STAGE 1 FURNISHED EX	647.7
STAGE 2 EARTH EX	32.1
STAGE 2 FURNISHED EX	735.8
STAGE 3 HMA BINDER	0.0
TOPSOIL STAGE 1 (FT)	73.7
TOPSOIL STAGE 2 (FT)	81.1



QUANTITIES SQ. FT

STAGE 1 EARTH EX	29.9
STAGE 1 FURNISHED EX	622.9
STAGE 2 EARTH EX	31.4
STAGE 2 FURNISHED EX	702.1
STAGE 3 HMA BINDER	0.0
TOPSOIL STAGE 1 (FT)	75.1
TOPSOIL STAGE 2 (FT)	80.5

DATE: _____ BY: _____
 SURVEYED: _____ PLOTTED: _____
 SURVEY: _____ NOTE BOOK: _____
 NO. _____ AREAS CHECKED: _____

DATE: _____ BY: _____
 SURVEYED: _____ PLOTTED: _____
 SURVEY: _____ NOTE BOOK: _____
 NO. _____ AREAS CHECKED: _____

PLOT DATE = 2/4/2016
 PLOT SCALE = 1/4" = 10'-00"
 USER NAME = 20amnd