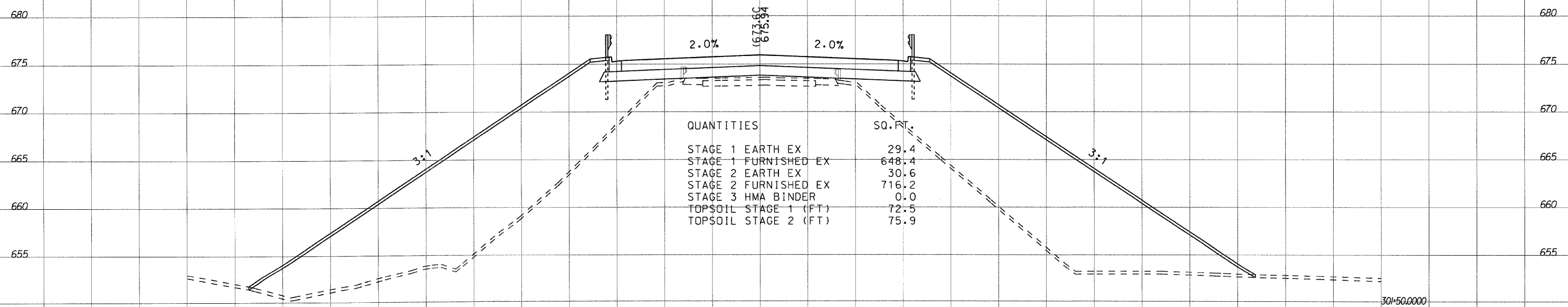
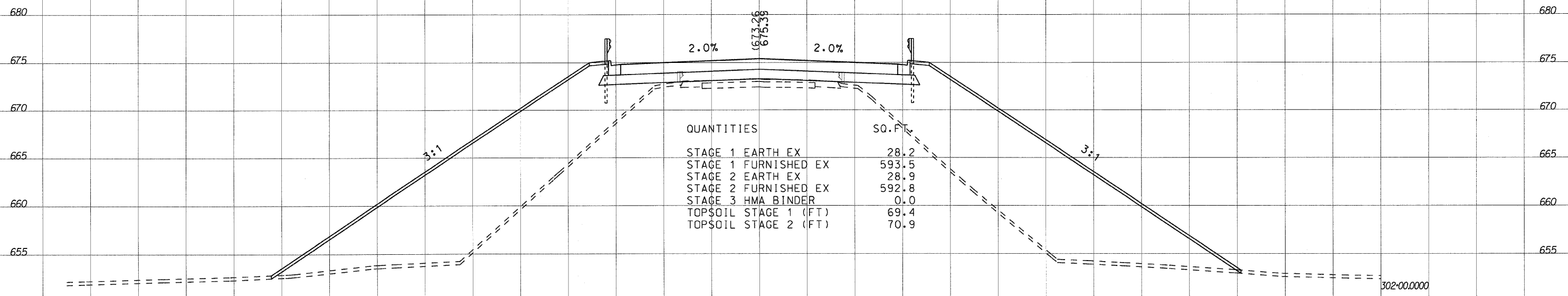


| F.A. RTE.                            | SECTION  | COUNTY           | TOTAL SHEETS | SHEET NO. |
|--------------------------------------|----------|------------------|--------------|-----------|
|                                      | 50-8 HBR | LASALLE          | 143          | 120       |
| STA. 301+50.0000 TO STA. 302+00.0000 |          |                  |              |           |
| FED. ROAD DIST. NO.                  | ILLINOIS | FED. AID PROJECT |              |           |

PLANK ROAD



PLANK ROAD

SCALE: HW 10:5

DATE: \_\_\_\_\_  
 BY: \_\_\_\_\_  
 SURVEYED: \_\_\_\_\_  
 PLOTTED: \_\_\_\_\_  
 NOTE BOOK: \_\_\_\_\_  
 AREAS CHECKED: \_\_\_\_\_

DATE: \_\_\_\_\_  
 BY: \_\_\_\_\_  
 SURVEYED: \_\_\_\_\_  
 PLOTTED: \_\_\_\_\_  
 NOTE BOOK: \_\_\_\_\_  
 AREAS CHECKED: \_\_\_\_\_

PLOT DATE = 2/4/2010  
 PLOT SCALE = 10:5  
 USER NAME = zpannd