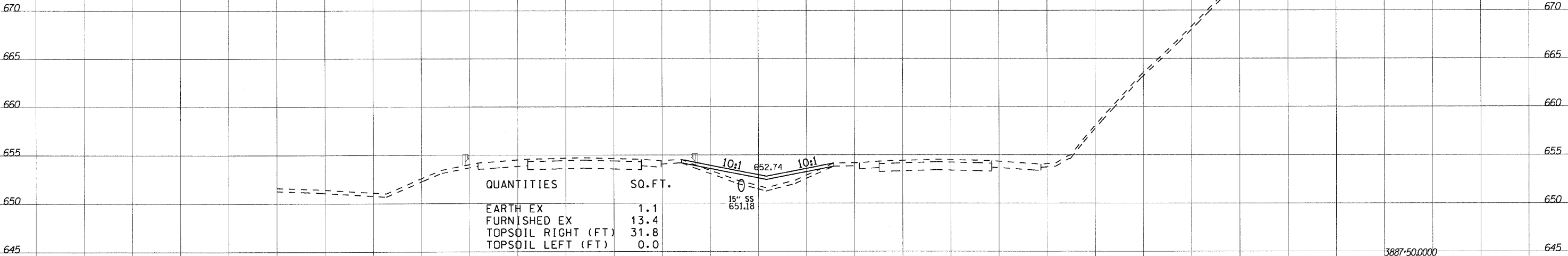


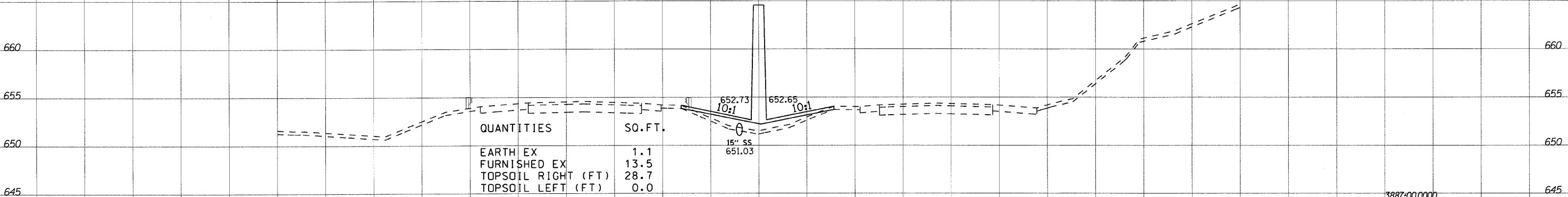
F.A. RTE.	SECTION	COUNTY	TOTAL SHEETS	SHEET NO.
	50-8 HBR	LASALLE	143	142
STA. 3886+50.0000 TO STA. 3887+50.0000				
FED. ROAD DIST. NO.	ILLINOIS	FED. AID PROJECT		

C I-80

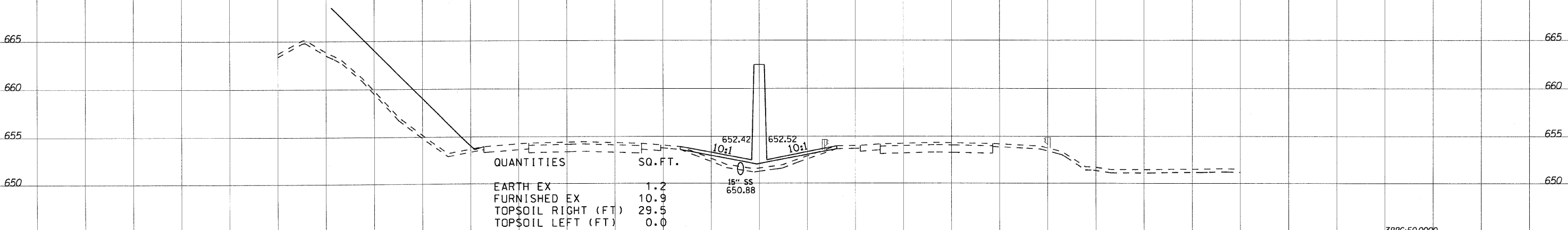
140 130 120 110 100 90 80 70 60 50 40 30 20 10 0 10 20 30 40 50 60 70 80 90 100 110 120 130



3887+50.0000



3887+00.0000



3886+50.0000

140 130 120 110 100 90 80 70 60 50 40 30 20 10 0 10 20 30 40 50 60 70 80 90 100 110 120 130

I-80

SCALE: H/V 10:5

DATE	BY
NO.	

DATE	BY
NO.	

PLOT DATE = 2/1/2018  
 FILE NAME = g:\projects\3886+50.0000\081\cadd\1-081.dwg  
 PLOT SCALE = 10.0000' / IN.  
 USER NAME = zhenmg