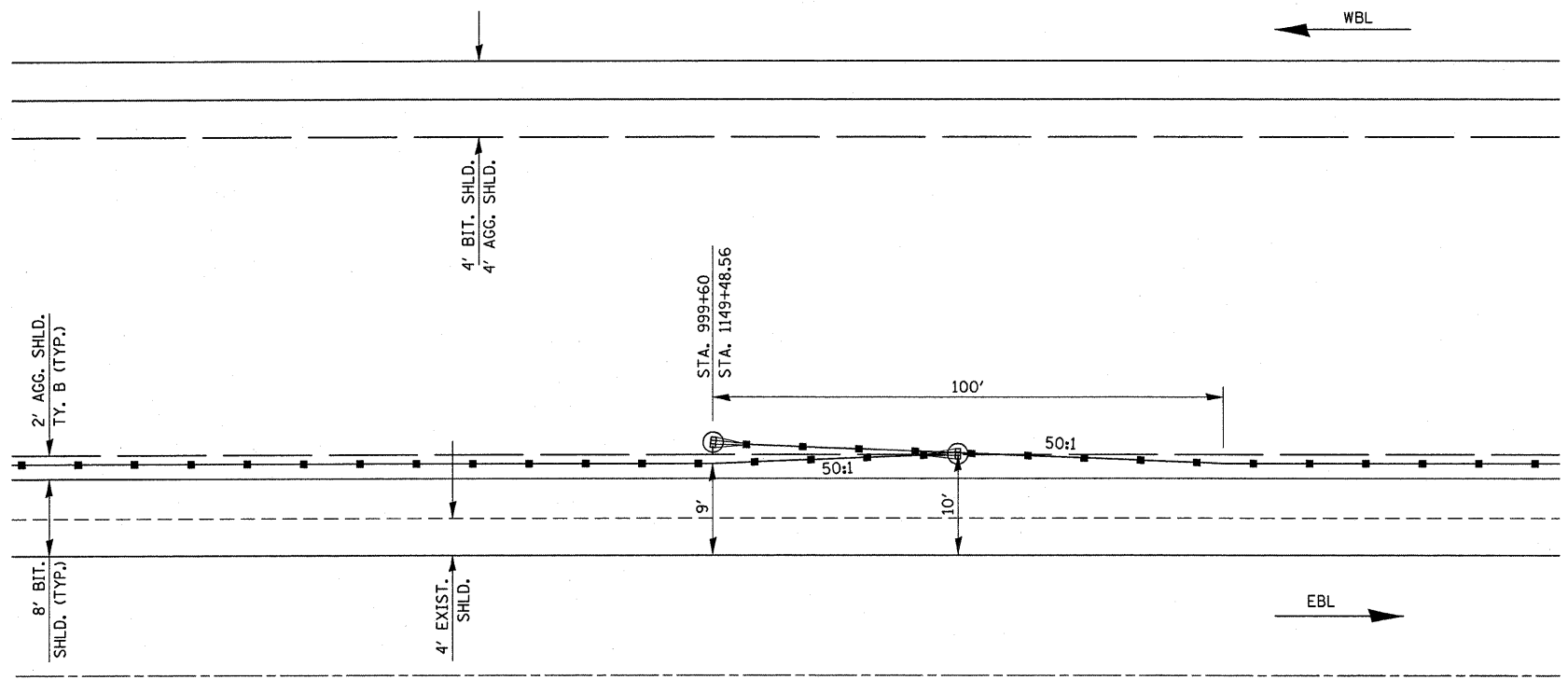


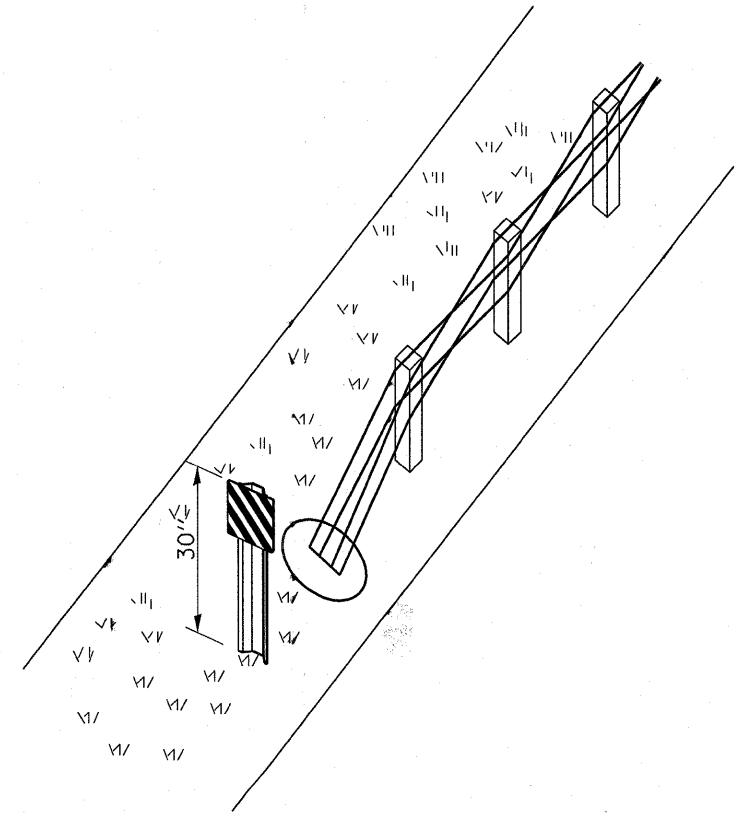
3 MAINTENANCE CROSSOVERS

- NOTES:
1. POSTS SHALL BE DRIVEN IN ACCORDANCE WITH MANUFACTURES SPECIFICATIONS.
 2. POST SPACING MAY BE ALTERED TO AVOID DRAINAGE OR OTHER OBSTACLES.

STA. 924+91
 STA. 1073+35
 STA. 786+34



HIGH TENSION CABLE BARRIER OVERLAP DETAIL



**HTC MEDIAN BARRIER
 POST MOUNTED TERMINAL MARKER DETAIL**

NOT TO SCALE

FILE NAME =	USER NAME = corcoranlm	DESIGNED -	REVISED -	STATE OF ILLINOIS DEPARTMENT OF TRANSPORTATION	HIGH TENSION CABLE BARRIER DETAILS			F.A.I. RTE.	SECTION	COUNTY	TOTAL SHEETS	SHEET NO.
ca:\pw\work\p\idat\corcoranlm\d0180581\d66a08-shd-details.DGN	PLOT SCALE = 50,0000' / IN.	DRAWN -	REVISED -					80	(50-5,6 & 32-1,2)RS-3		76	40
	PLOT DATE = Mar 11, 2010 - 02:08:59 PM	CHECKED -	REVISED -		• LASALLE & GRUNDY			CONTRACT NO. 66A08				
		DATE -	REVISED -		ILLINOIS FED. AID PROJECT							