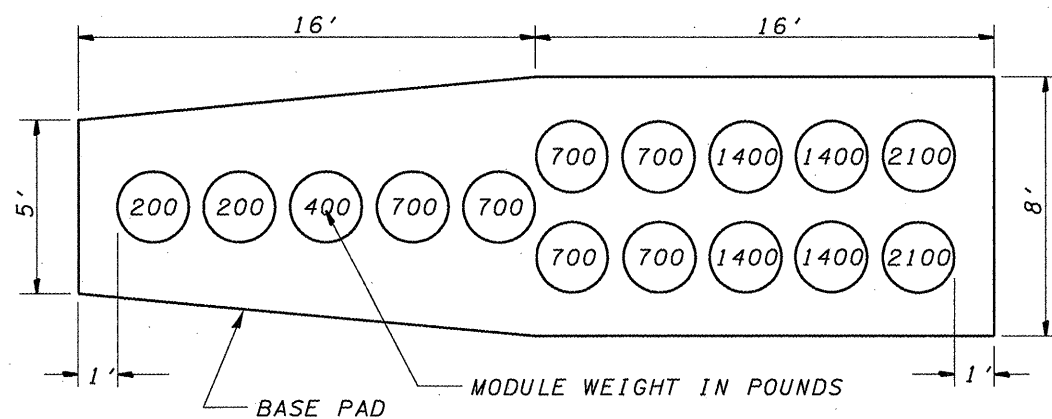
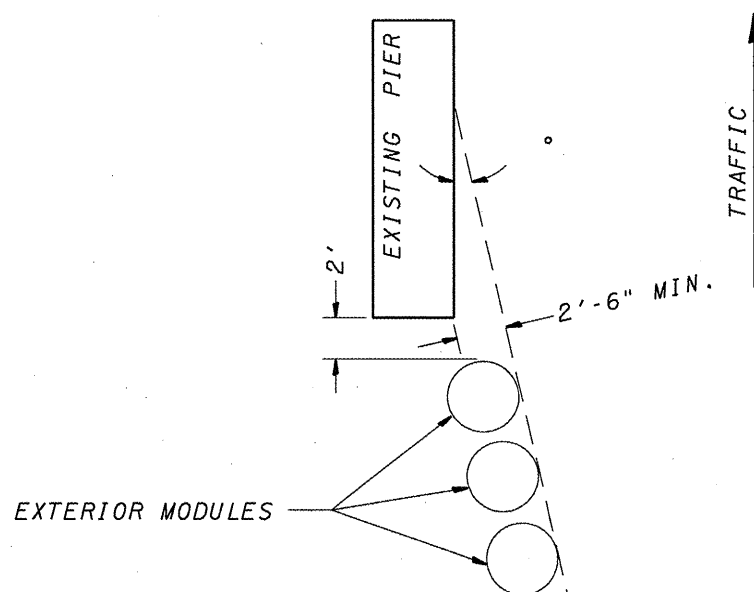


**IMPACT ATTENUATOR LAYOUT AND GRADING PLAN  
FOR INFORMATION ONLY**



**LAYOUT FOR IMPACT ATTENUATOR  
(NON-REDIRECTIVE), TEST LEVEL 3  
FOR INFORMATION ONLY**



**EXTERIOR MODULE LAYOUT  
FOR INFORMATION ONLY**

**NOTES:**

1. THE PAY ITEM "IMPACT ATTENUATORS, REPLACEMENT (NON-REDIRECTIVE), TEST LEVEL 3" HAS BEEN INCLUDED TO REPLACE INDIVIDUAL DAMAGED SAND MODULES.
2. REPLACEMENT MODULES SHALL MATCH THE KIND OF MODULES THAT ARE REMAINING.
3. IMPACT ATTENUATORS SHALL BE IN ACCORDANCE WITH THE BDE SPECIAL PROVISION FOR IMPACT ATTENUATORS, EFFECTIVE: NOVEMBER 1, 2003 REVISED NOVEMBER 1, 2008
4. THIS SHEET SHOWS THE LAYOUT INFORMATION FOR REPLACEMENT OF SAND MODULES (IMPACT ATTENUATORS) AT A TYPICAL INTERSTATE LOCATION.
5. ADJACENT SAND MODULE IMPACT ATTENUATORS THAT ARE NOT DAMAGED, BUT HAVE BEEN SHIFTED Laterally FROM THEIR ORIGINAL POSITION SHALL BE REALIGNED OR MOVED BACK TO THEIR ORIGINAL POSITION, AS DIRECTED BY THE ENGINEER. REALIGNMENT OR MOVING OF ADJACENT UNDAMAGED MODULES SHALL NOT BE PAID FOR SEPARATELY BUT SHALL BE CONSIDERED INCLUDED IN THE COST OF REPLACEMENT. THE WORK TO REALIGN OR SHIFT UP TO 2 MODULES SHALL BE INCLUDED WITH EACH REPLACED SAND MODULE IMPACT ATTENUATOR.

• D-3 HIGHWAY DAMAGE REPAIR 2010

FILE NAME =	USER NAME = schwankerg	DESIGNED -	REVISED -
at:\pwork\PWIDOT\SCHWANKERG\0184951\366A25-sht-details.dgn		DRAWN -	REVISED -
PLOT SCALE = 100.0000' / IN.		CHECKED -	REVISED -
PLOT DATE = Feb 17, 2010 - 04:11:31 PM		DATE -	REVISED -

**STATE OF ILLINOIS  
DEPARTMENT OF TRANSPORTATION**

**IMPACT ATTENUATOR INSTALLATION  
& NON-REDIRECTIVE DETAIL**

SCALE: SHEET NO. OF SHEETS STA. TO STA.

F.A. RTE.	SECTION	COUNTY	TOTAL SHEETS	SHEET NO.
VAR.		VAR.	36	7
CONTRACT NO. 66A25			ILLINOIS FED. AID PROJECT	