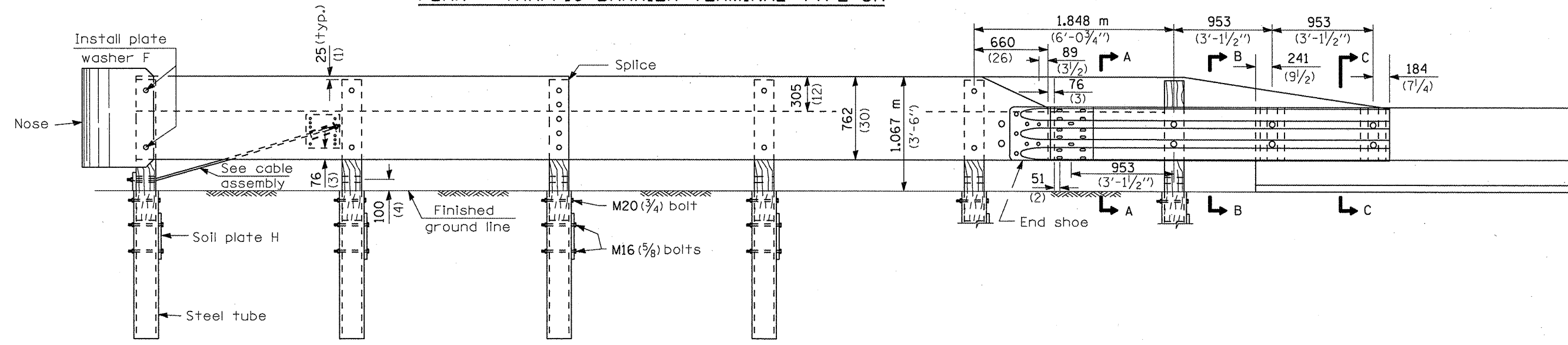
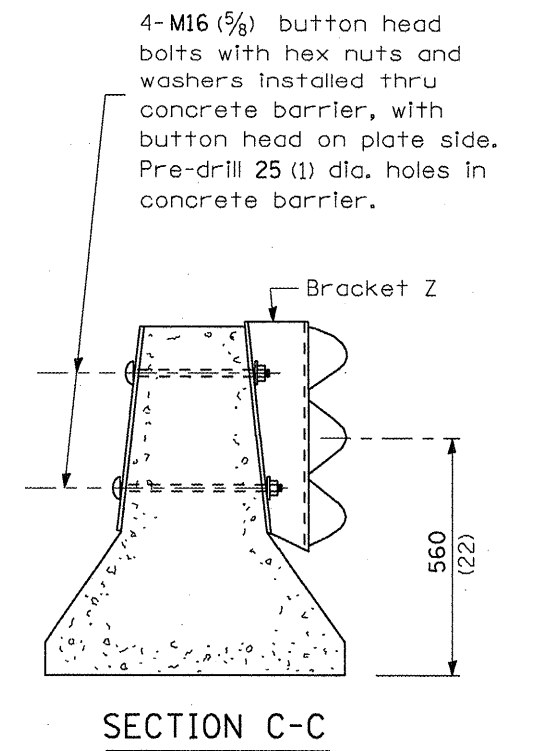
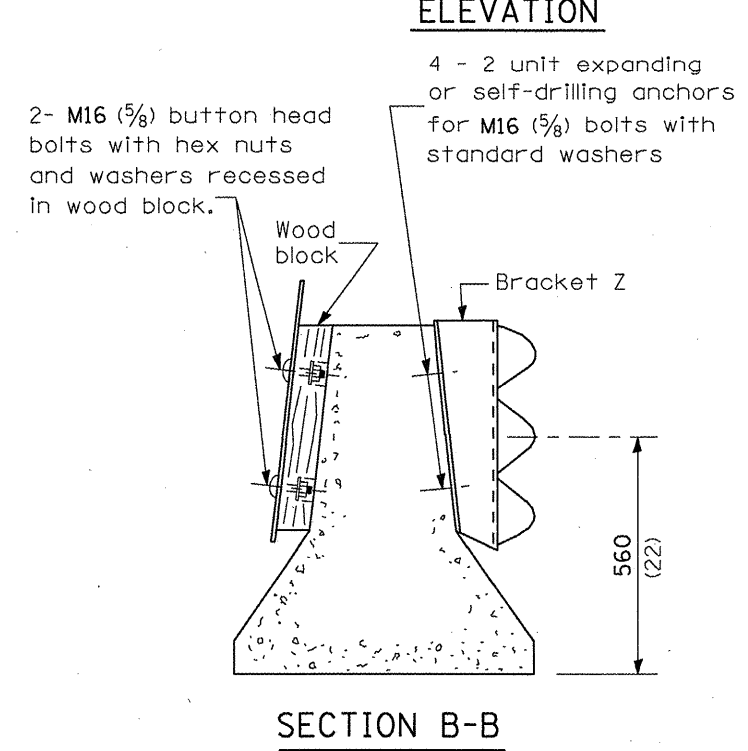
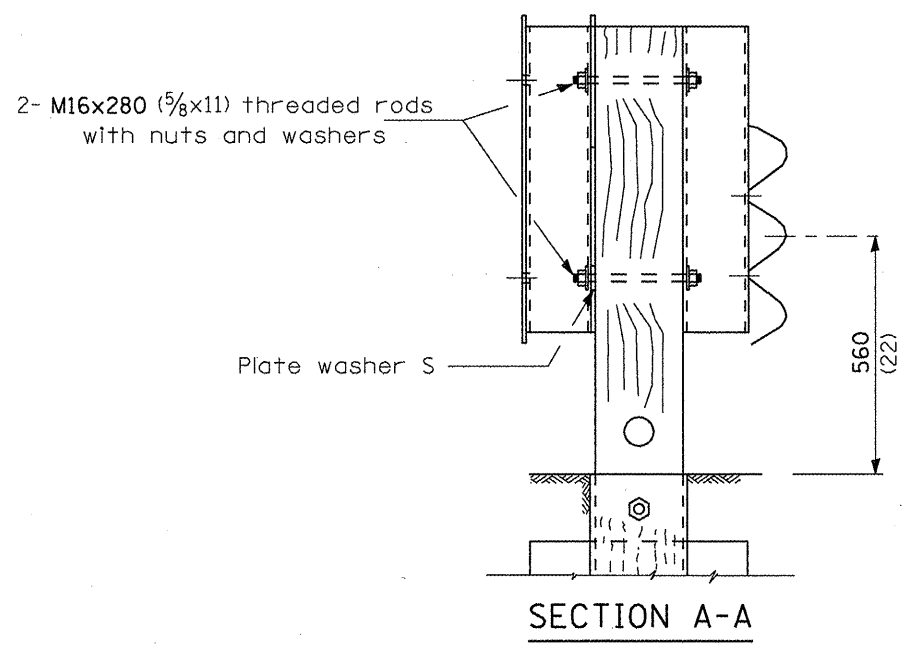


PLAN - TRAFFIC BARRIER TERMINAL TYPE 3A



ELEVATION



DETAIL INCLUDED FOR REPAIR ONLY

All dimensions are in millimeters (inches) unless otherwise shown.

FILE NAME = USER NAME = schwankeg DESIGNED - DRAWN - CHECKED - DATE -				REVISIONS REVISED - REVISED - REVISED - REVISED -				STATE OF ILLINOIS DEPARTMENT OF TRANSPORTATION				TRAFFIC BARRIER TERMINAL TYPE 3 & 3A				F.A. RTE. VAR.		SECTION .		COUNTY VAR.		TOTAL SHEETS 36		SHEET NO. 12	
PLOT SCALE = 100.0000' / IN. PLOT DATE = Feb 17, 2010 - 03:38:50 PM				SCALE:								SHEET NO. OF SHEETS STA. TO STA.				CONTRACT NO. 66A25 ILLINOIS FED. AID PROJECT									

• D-3 HIGHWAY DAMAGE REPAIR 2010