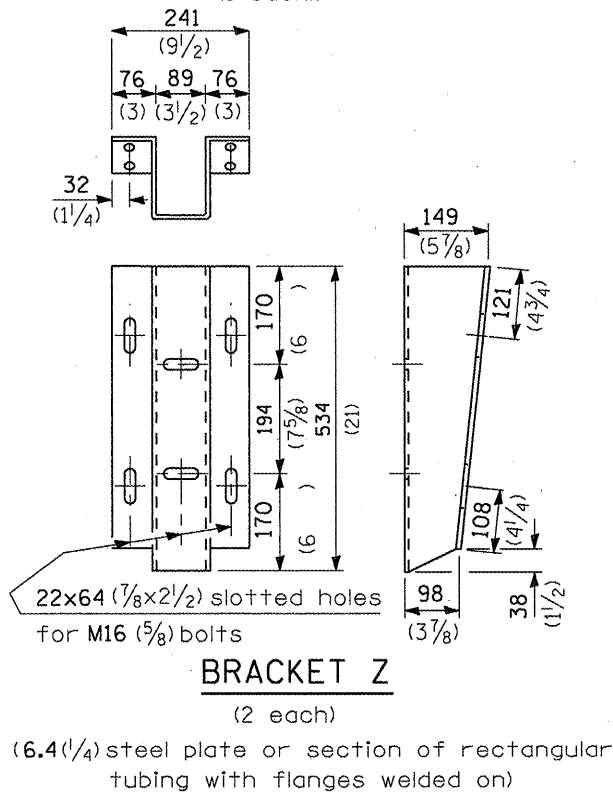
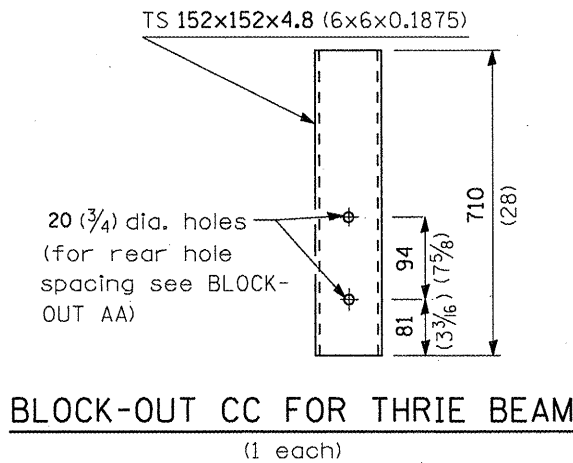
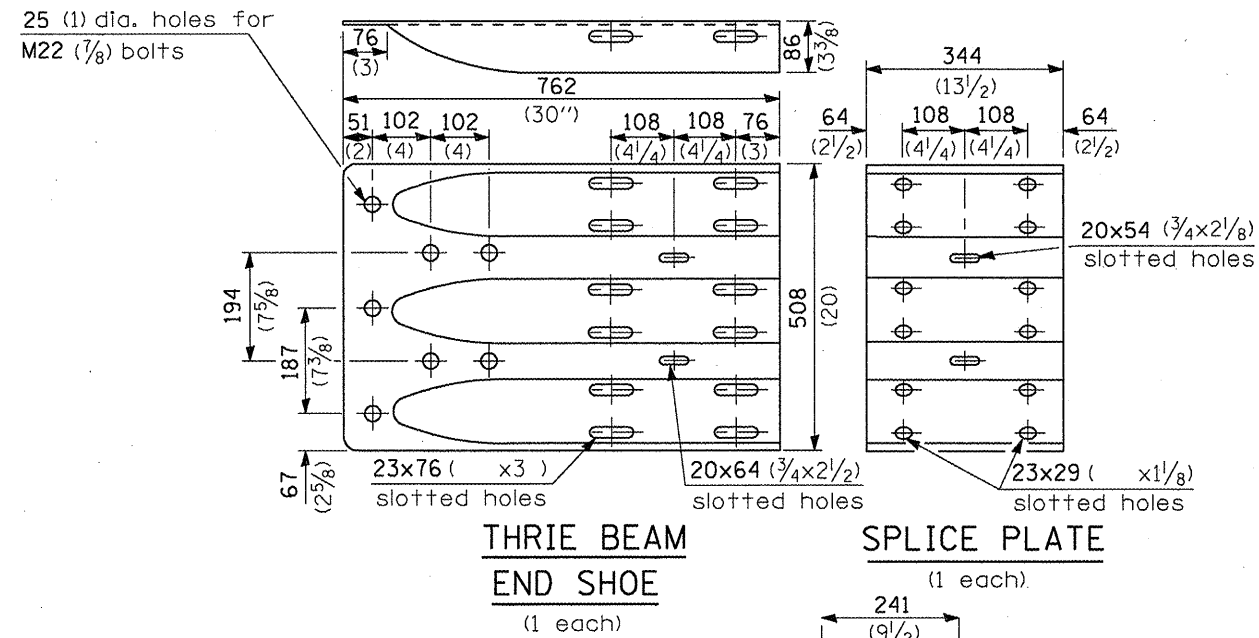
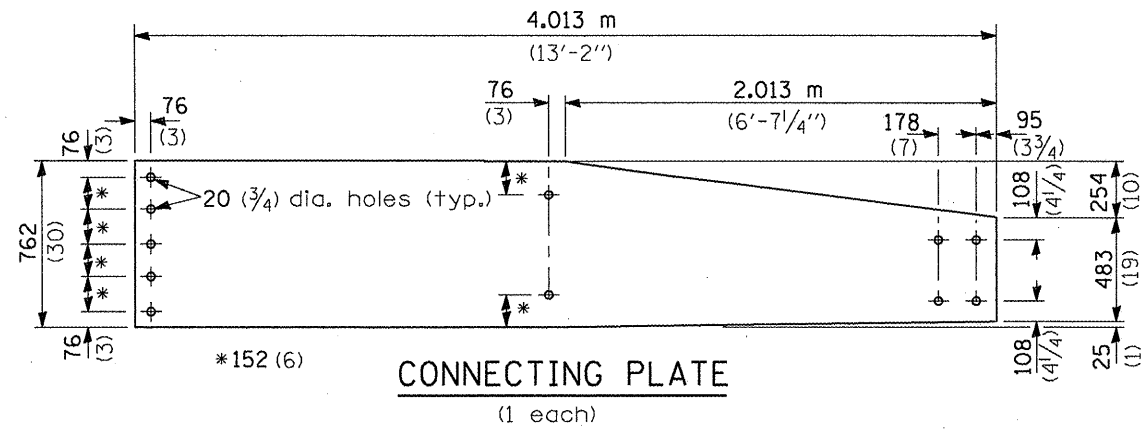
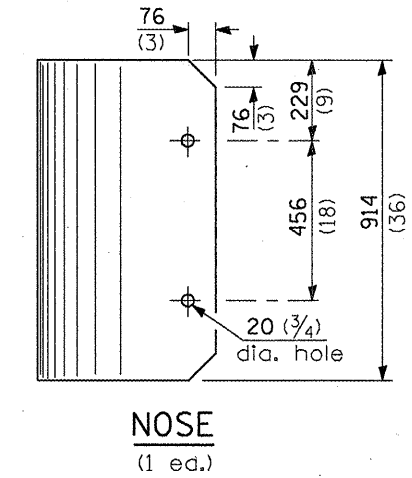
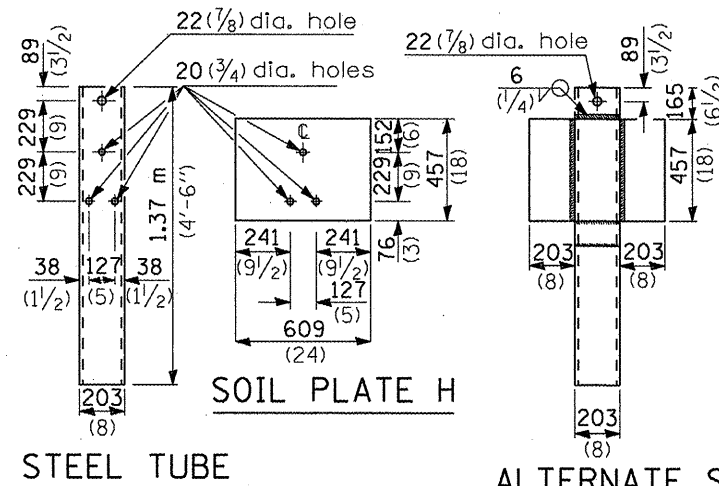
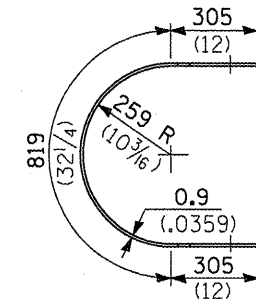
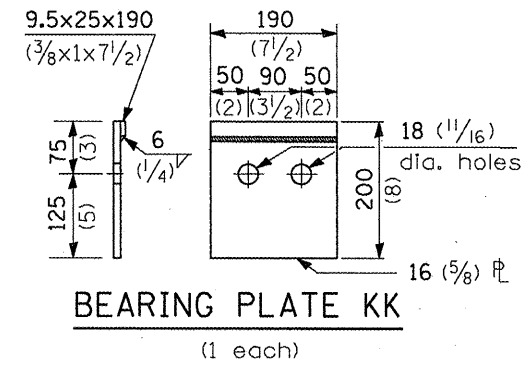


TYPE 3A ONLY

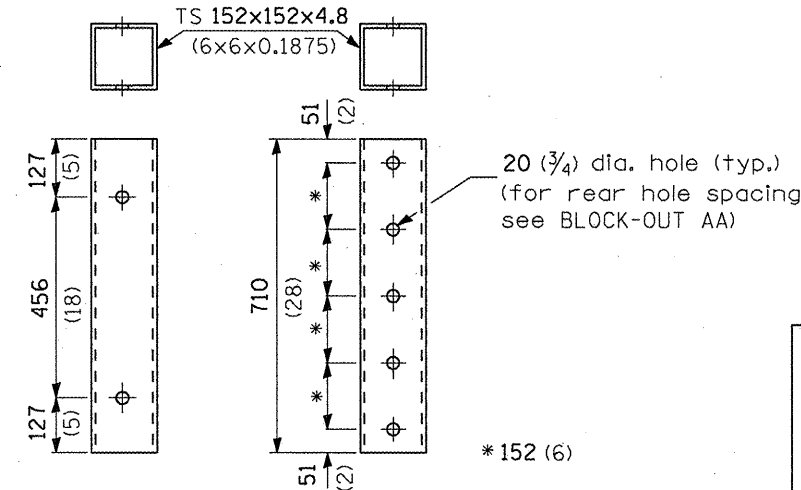


TYPE 3 & 3A



TS 203x203x4.8 (8x8x0.1875)
(end terminal post) (1 ea.)

TS 203x152x4.8 (8x6x0.1875)
(terminal post) (4 ea. Type 3)
(5 ea. Type 3A)



DETAIL INCLUDED FOR REPAIR ONLY

All dimensions are in millimeters (inches) unless otherwise shown.

• D-3 HIGHWAY DAMAGE REPAIR 2010

FILE NAME =	USER NAME = schwankeg	DESIGNED -	REVISED -	STATE OF ILLINOIS DEPARTMENT OF TRANSPORTATION	TRAFFIC BARRIER TERMINAL TYPE 3 & 3A	F.A. RTE.	SECTION	COUNTY	TOTAL SHEETS	SHEET NO.
ca:\pwork\PWIDOT\SCHWANKEG\018495\366A25-sht-details.dgn	DRAWN -	REVISED -	VAR.			*	VAR.	36	13	
PLOT SCALE = 100.0000 / IN.	CHECKED -	REVISED -	CONTRACT NO. 66A25							
PLOT DATE = Feb 17, 2010 - 03:30:56 PM	DATE -	REVISED -	FED. ROAD DIST. NO.			ILLINOIS FED. AID PROJECT				