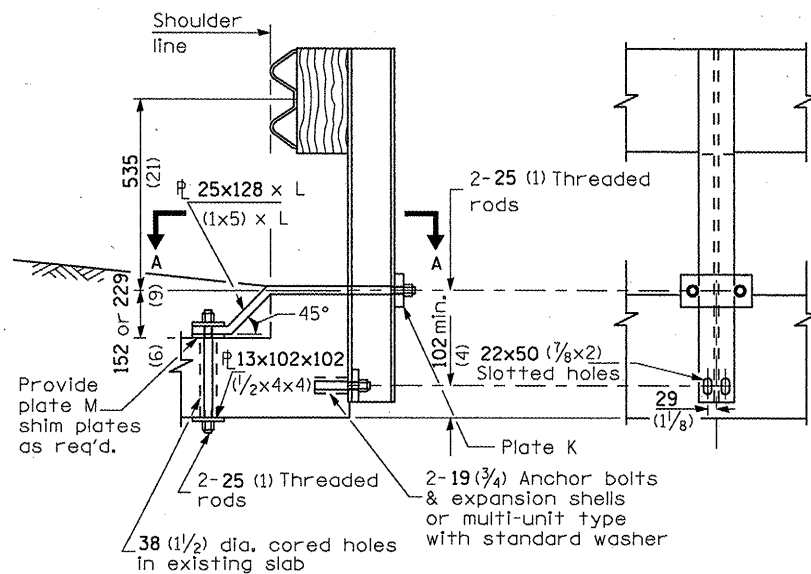


CROSS SECTION

ELEVATION

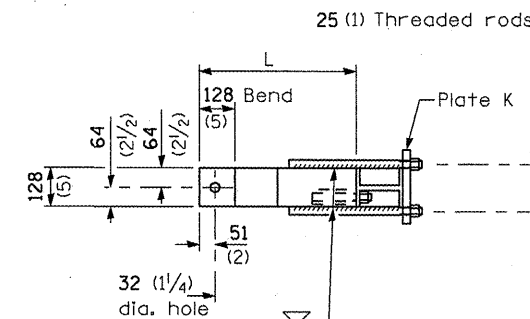
CONDITION H > 450 (18)



CROSS SECTION

ELEVATION

CASE II
MOUNTED ON TOP HEADWALL
WITH SQUARE TIP



SECTION A-A

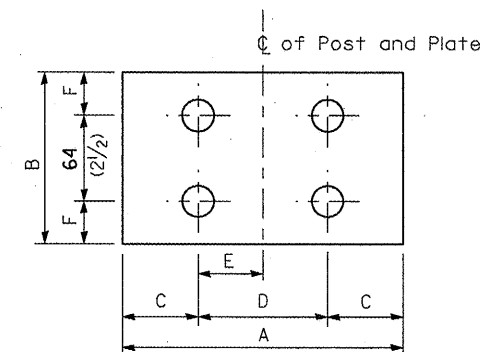


PLATE TYPE J

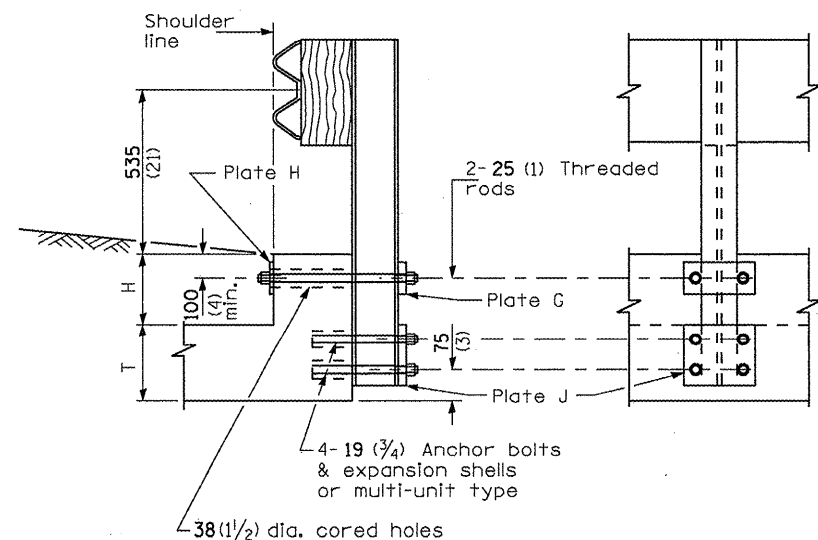
GENERAL NOTES

Except as noted, dimensions and notes specified for case II, III, and IV are the same as specified for case I.

For details of guardrail elements not shown, see Standard 630001.

All threaded rods shall be installed with heavy hex nuts and standard washers.

All dimensions are in millimeters (inches) unless otherwise shown.



CROSS SECTION

ELEVATION

CONDITION H < 450 (18) & H+T ≥ 510 (20)

CASE I
MOUNTED ON
RAISED HEADWALL

PLATE DIMENSIONS								
Type	A	B	C	D	E	F	Hole Dia.	Thick-ness
G	230 (9)	100 (4)	40 (1 1/2)	150 (6)	75 (3)	50 (2)	29 (1 1/8)	25 (1)
H	230 (9)	100 (4)	40 (1 1/2)	150 (6)	75 (3)	50 (2)	29 (1 1/8)	13 (1/2)
J	230 (9)	126 (5)	40 (1 1/2)	150 (6)	75 (3)	31 (1 1/4)	22 (1 1/8)	25 (1)
K	230 (9)	100 (4)	40 (1 1/2)	150 (6)	75 (3)	50 (2)	29 (1 1/8)	32 (1 1/4)
M	100 (4)	100 (4)	50 (2)	N/A	N/A	50 (2)	32 (1 1/8)	13 (1/2)

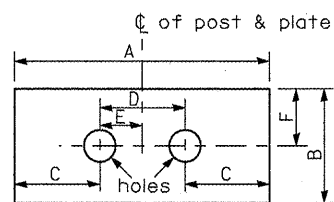


PLATE TYPES G, H & K

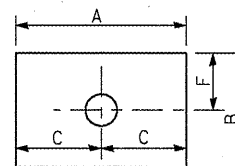


PLATE TYPE M

FILE NAME =	USER NAME = schwankerg	DESIGNED -	REVISED -
ct:\pwork\pwidot\schwankerg\20184951\366A25-sht-deta1.dgn		DRAWN -	REVISED -
PLOT SCALE = 100.0000 "/>		CHECKED -	REVISED -
PLOT DATE = Feb 17, 2010 - 03:52:16 PM		DATE -	REVISED -

STATE OF ILLINOIS
DEPARTMENT OF TRANSPORTATION

PRE-MGS EFFECTIVE 4-1-06
GUARDRAIL MOUNTED ON EXISTING CULVERTS
STANDARD 630101-06

F.A. RTE.	SECTION	COUNTY	TOTAL SHEETS	SHEET NO.
VAR.	*	VAR.	36	20
CONTRACT NO. 66A25				
FED. ROAD DIST. NO. ILLINOIS FED. AID PROJECT				

D-3 HIGHWAY DAMAGE REPAIR 2010

SCALE: SHEET NO. OF SHEETS STA. TO STA.