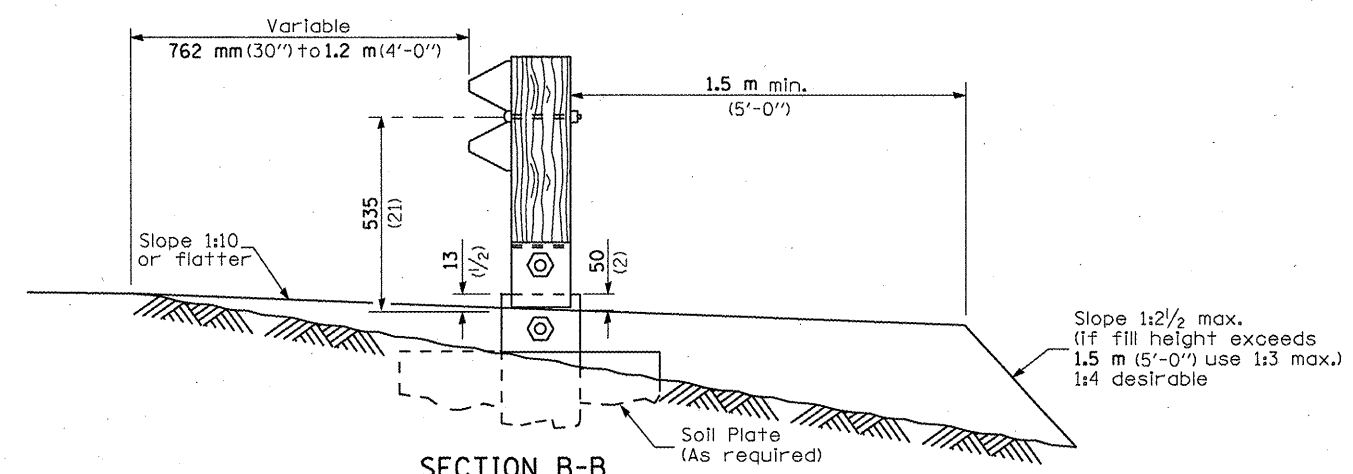


**SHOULDER WIDENING TRANSITION
FOR FLARED TERMINAL**



SECTION B-B
(End section omitted for clarity.)

• D-3 HIGHWAY DAMAGE REPAIR 2010

FILE NAME =	USER NAME = schwenkerg	DESIGNED -	REVISED -
ct:\pwork\PIWIDOT\SCHWANKERG\d0184951\66A25-sht-details.dgn		DRAWN -	REVISED -
		CHECKED -	REVISED -
		DATE -	REVISED -

**STATE OF ILLINOIS
DEPARTMENT OF TRANSPORTATION**

**PRE-MGS EFFECTIVE 4-1-06
SHOULDER WIDENING FOR TYPE 1 (SPECIAL) GUARDRAIL TERMINALS
STANDARD 630301-03**
(Sheet 2 of 2)

F.A. RTE.	SECTION	COUNTY	TOTAL SHEETS	SHEET NO.
VAR.	*	VAR.	36	23
CONTRACT NO. 66A25				
FED. ROAD DIST. NO.	ILLINOIS FED. AID PROJECT			