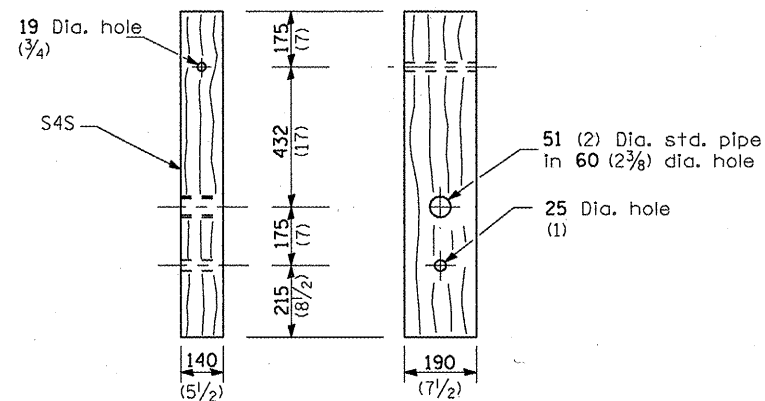
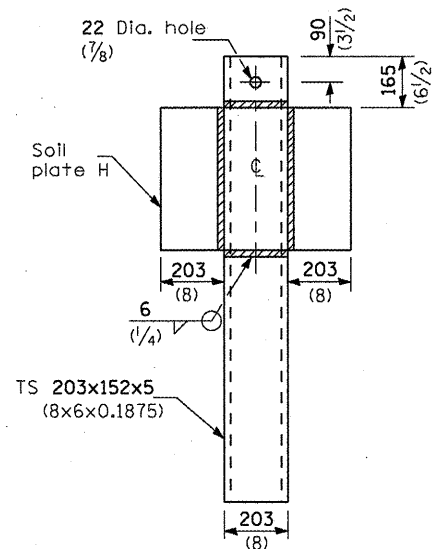


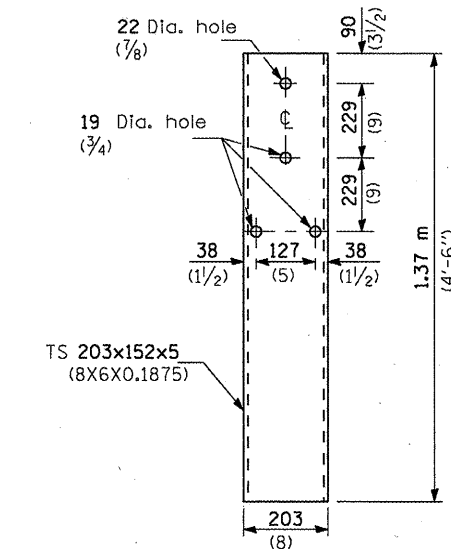
**BEARING PLATE K**



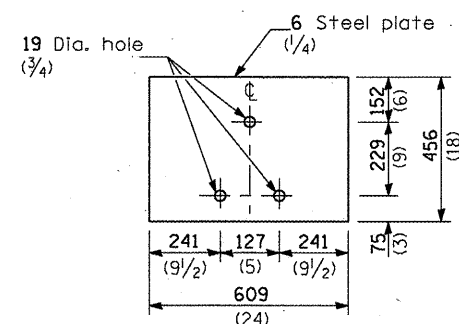
**WOOD POST**



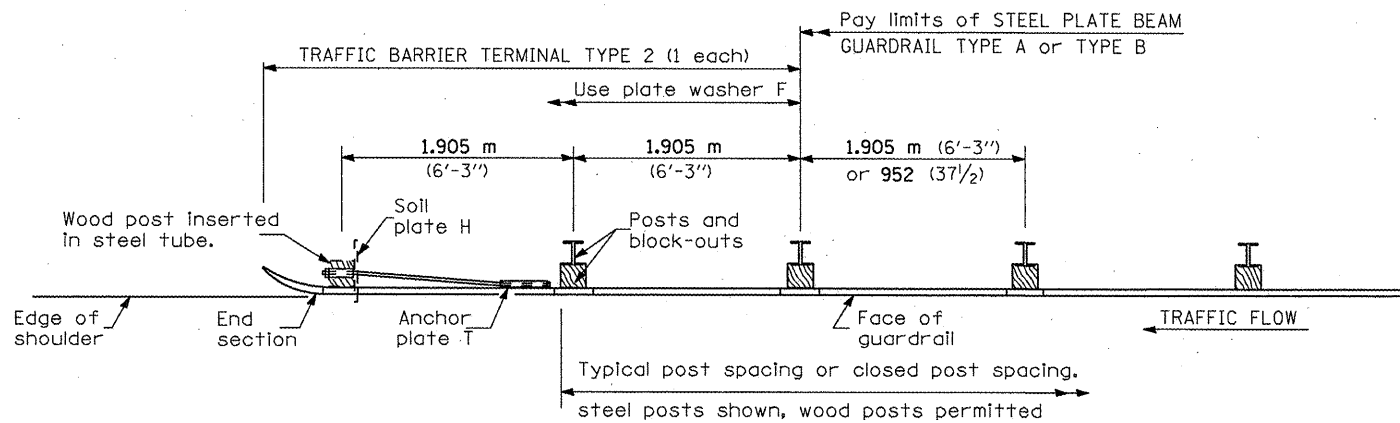
**ALTERNATE SOIL PLATE CONNECTION**



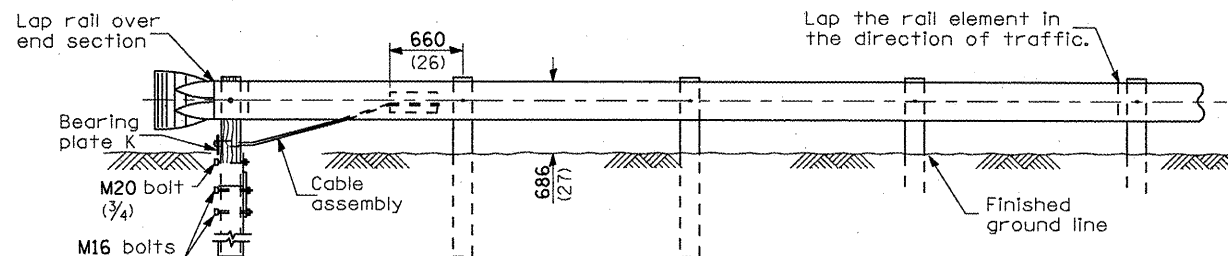
**STEEL TUBE**



**SOIL PLATE H**



**PLAN**



**ELEVATION**

**GENERAL NOTES**

See Standard 630001 for details of guardrail not shown.

Use plate washer F at all posts.

The bearing plate K shall be held in position by (2) two eight penny nails driven into the post and bent over the top of the plate.

All dimensions are in millimeters (inches) unless otherwise shown.

FILE NAME =	USER NAME = schwankerg	DESIGNED -	REVISED -	<b>STATE OF ILLINOIS DEPARTMENT OF TRANSPORTATION</b>	<b>PRE-MGS EFFECTIVE 4-1-06 TRAFFIC BARRIER TERMINAL TYPE 2 STANDARD 631011-02</b>	F.A. RTE.	SECTION	COUNTY	TOTAL SHEETS	SHEET NO.	
ct:\pwwork\pwwid\SCHWANKERG\d0184951\366A25-sht-details.dgn	PLOT SCALE = 100.0000' / IN.	DRAWN -	REVISED -			VAR.		VAR.	36	24	
PLOT DATE = Feb 17, 2010 - 03:52:47 PM	DATE -	CHECKED -	REVISED -			CONTRACT NO. 66A25					
		DATE -	REVISED -			FED. ROAD DIST. NO.	ILLINOIS FED. AID PROJECT				