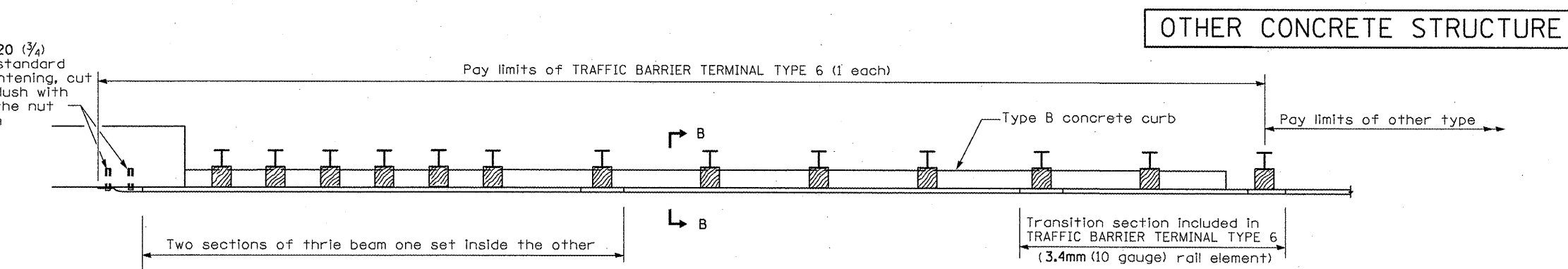
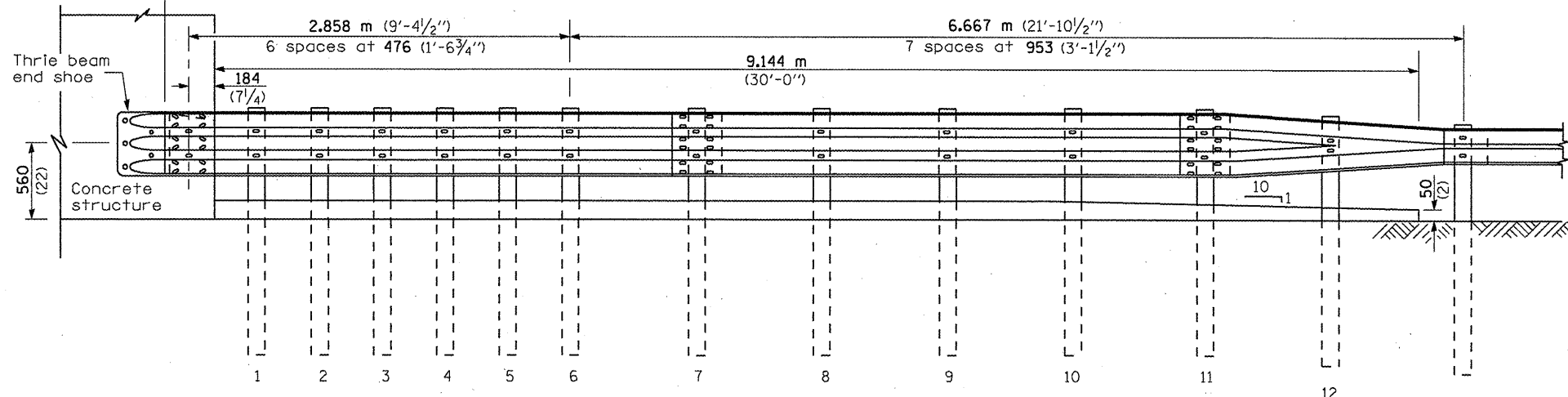


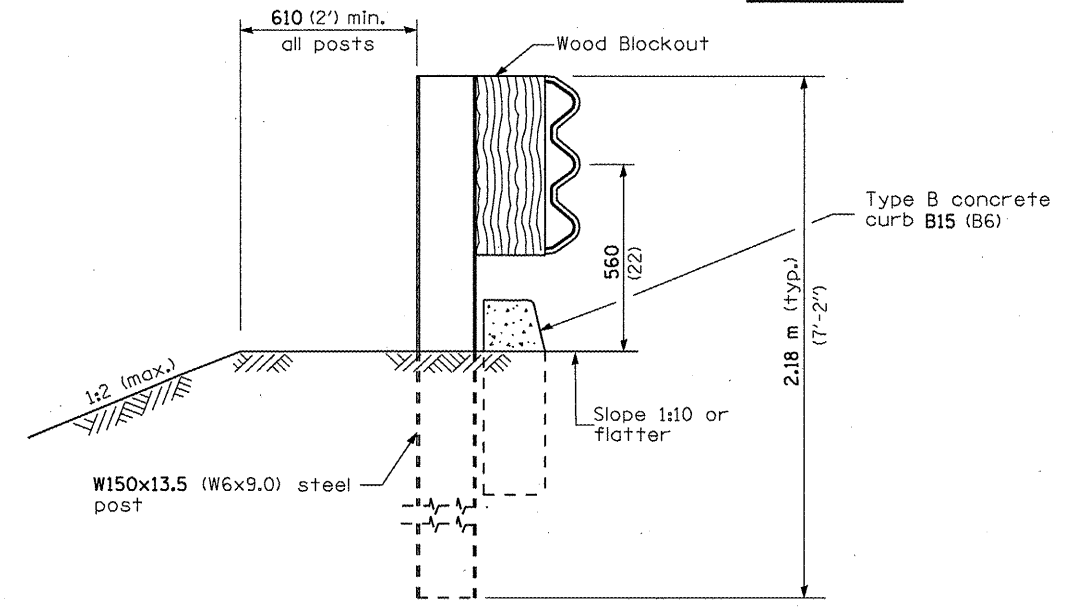
5 Epoxy grouted M20 (3/4") anchor bolts with standard washers. After tightening, cut the anchor bolts flush with nuts, and damage the nut to prevent it from loosening.



PLAN



ELEVATION



SECTION B-B

OTHER CONCRETE STRUCTURE

D-3 HIGHWAY DAMAGE REPAIR 2010

FILE NAME =	USER NAME = schwankeg	DESIGNED -	REVISED -
ct:\pw\work\PIWIDOT\SCHWANKERG\d0184951\366A25-sht-details.dgn		DRAWN -	REVISED -
PLOT SCALE = 100.0000' / IN.		CHECKED -	REVISED -
PLOT DATE = Feb 17, 2010 - 03:53:12 PM		DATE -	REVISED -

**STATE OF ILLINOIS
DEPARTMENT OF TRANSPORTATION**

**PRE-MGS EFFECTIVE 4-1-06
TRAFFIC BARRIER TERMINAL, TYPE 6
STANDARD 631031-05**

Sheet 2 of 3

F.A. RTE.	SECTION	COUNTY	TOTAL SHEETS	SHEET NO.
VAR.	*	VAR.	36	27
FED. ROAD DIST. NO.			ILLINOIS FED. AID PROJECT	
			CONTRACT NO. 66A25	

SCALE: SHEET NO. OF SHEETS STA. TO STA.