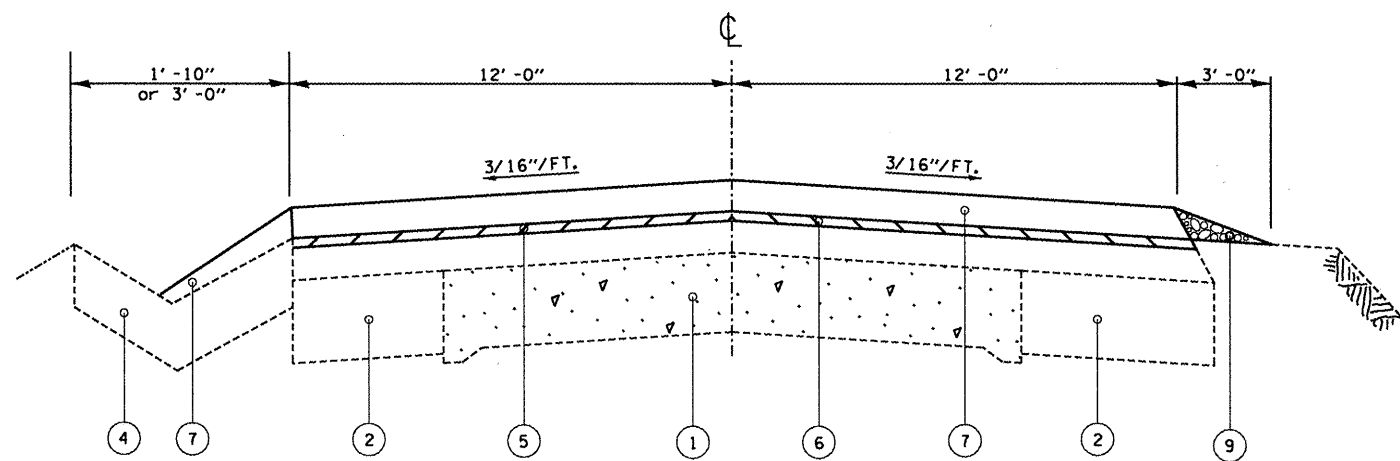
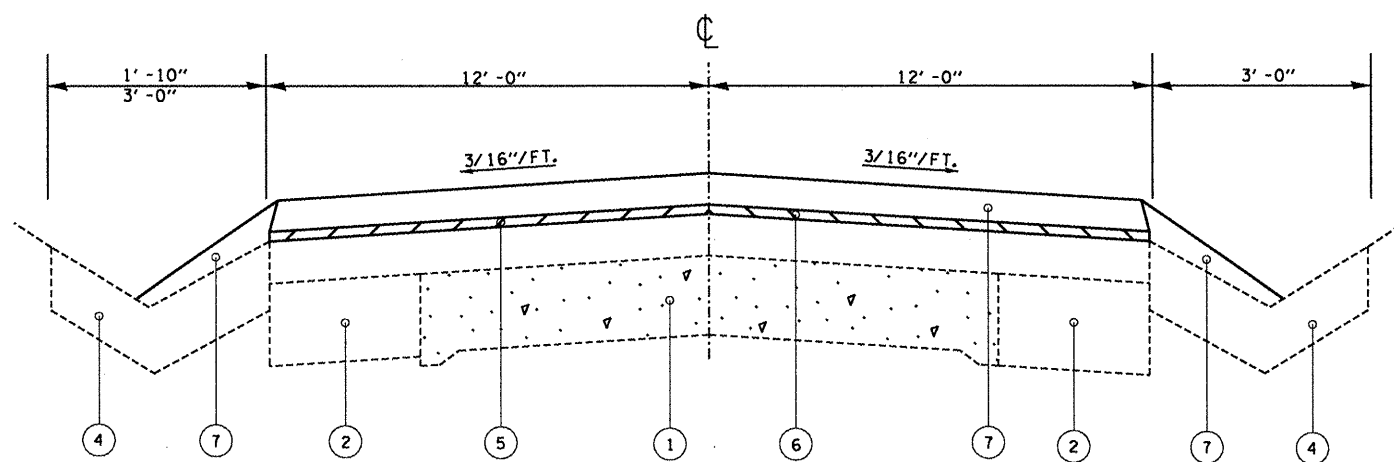


STA. 286+27 TO STA. 290+04



STA. 271+32 TO STA. 279+18  
STA. 300+98 TO STA. 301+04



STA. 279+18 TO STA. 286+27  
STA. 290+04 TO STA. 300+98

**LEGEND**

1. EXISTING P. C. C. PAVEMENT w/OVERLAY
2. EXISTING 8" P. C. C. WIDENING
3. EXISTING HOT-MIX ASPHALT SHLDR.
4. EXISTING GUTTER TYPE A OR TYPE B
5. PROPOSED HOT-MIX ASPHALT SURF. REM. 3/4"
6. PROPOSED POLYMERIZED LEVELING BINDER (M. M.) N-50, 3/4"
7. PROPOSED HOT-MIX ASPHALT SURF. CSE. MIX D, N-50, 1 1/2"
8. PROPOSED HOT-MIX ASPHALT SHLDR. (TOP LIFT), MIX C, N-30
9. PROPOSED AGG. SHLDR. TYPE B (WEDGE)

S:\GEN\REF\T\08\2\NS\50\RD14P-Contracts\68502 Farmington Rd.dgn

|                             |                     |
|-----------------------------|---------------------|
| FILE NAME =                 | USER NAME = jonesce |
| 68502 Farmington Rd.dgn     |                     |
| PLOT SCALE = 1/32" = 1' IN. |                     |
| PLOT DATE = 1/25/2010       |                     |

|                   |               |
|-------------------|---------------|
| DESIGNED - CEJ    | REVISED - --- |
| DRAWN - CEJ       | REVISED - --- |
| CHECKED - ENE     | REVISED - --- |
| DATE - 01/15/2010 | REVISED - --- |

**STATE OF ILLINOIS  
DEPARTMENT OF TRANSPORTATION**

|                         |  |
|-------------------------|--|
| <b>TYPICAL SECTIONS</b> |  |
| SCALE: _____            | SHEET NO. ___ OF ___ SHEETS STA. _____ TO STA. _____ |

|   |         |        |                    |           |
|---|---------|--------|--------------------|-----------|
| F.A.U. RTE.                                     | SECTION | COUNTY | TOTAL SHEETS       | SHEET NO. |
| 6659  | 11RS-3  | PEORIA | 40                 | 6         |
| PPP   |         |        | CONTRACT NO. 68502 |           |
| FED. ROAD DIST. NO. 4 ILLINOIS FED. AID PROJECT |         |        |                    |           |

FARMINGTON RD. 3P-from KICKAPOO CRK. to IL.116