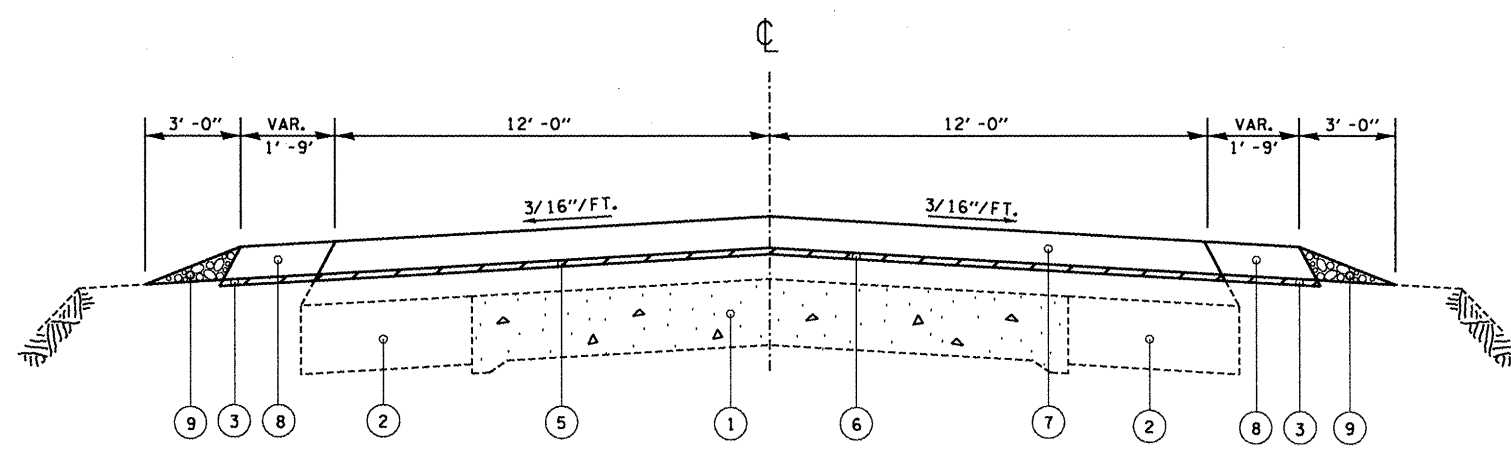


STA. 314+00 TO STA. 315+32 STA. 406+25 TO STA. 411+25
 STA. 317+48 TO STA. 331+05 STA. 412+25 TO STA. 417+28
 STA. 353+47 TO STA. 360+43 STA. 417+90 TO STA. 493+95
 STA. 373+91 TO STA. 376+72



STA. 330+87 TO STA. 340+19 STA. 493+95 TO STA. 497+20
 STA. 351+88 TO STA. 352+80 STA. 497+20 TO STA. 507+00
 STA. 401+36 TO STA. 406+25
 STA. 411+25 TO STA. 412+35

LEGEND

1. EXISTING P. C. C. PAVEMENT w/OVERLAY
2. EXISTING 8" P. C. C. WIDENING
3. EXISTING HOT-MIX ASPHALT SHLDR.
4. EXISTING GUTTER TYPE A OR TYPE B
5. PROPOSED HOT-MIX ASPHALT SURF.REM. 3/4"
6. PROPOSED POLYMERIZED LEVELING BINDER (M.M.) N-50, 3/4"
7. PROPOSED HOT-MIX ASPHALT SURF.CSE. MIX D, N-50, 1 1/2"
8. PROPOSED HOT-MIX ASPHALT SHLDR. (TOP LIFT), MIX C, N-30
9. PROPOSED AGG. SHLDR. TYPE B (WEDGE)

S:\GEN\DRFT\AST\DMPL\NS\SOU\014P-Construct\68502 Farmington Rd.dgn

FILE NAME = 68502 Farmington Rd.dgn	USER NAME = jonesce	DESIGNED - CEJ	REVISED - ---	STATE OF ILLINOIS DEPARTMENT OF TRANSPORTATION	TYPICAL SECTIONS	F.A.U. RTE. 6659	SECTION 11RS-3	COUNTY PEORIA	TOTAL SHEETS 40	SHEET NO. 8		
	PLOT SCALE = 1/32" = 1' / IN.	CHECKED - ENE	REVISED - ---			PPP	CONTRACT NO. 68502					
	PLOT DATE = 1/25/2010	DATE - 01/15/2010	REVISED - ---			FED. ROAD DIST. NO. 4 ILLINOIS FED. AID PROJECT						
	SCALE: _____ SHEET NO. ___ OF ___ SHEETS STA. _____ TO STA. _____											

FARMINGTON RD. 3P-from KICKAPOO CRK. to IL.116