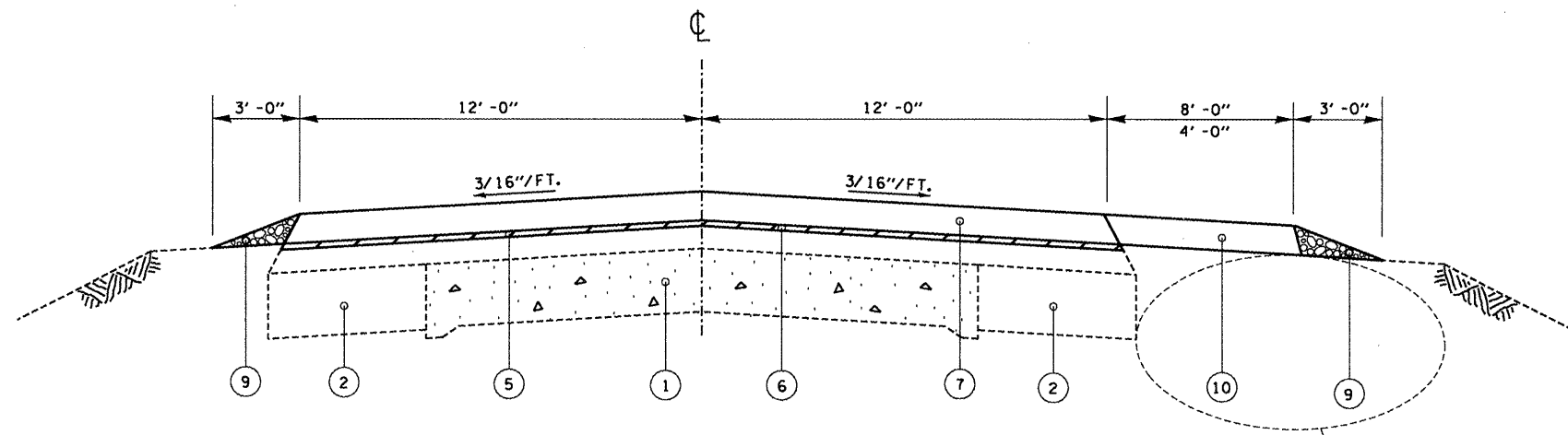


STA. 424+74 TO STA. 500+74

- 9 STA. 424+74.63 TO STA. 426+27.93 (Lt. & Rt.)
- STA. 445+04.14 TO STA. 446+57.44 (Lt. & Rt.)
- STA. 491+06.70 TO STA. 492+60.00 (Lt. & Rt.)

**SUPERELEVATION SECTION**

- CURVE NO. 1 - STA. 424+74.63 TO STA. 433+91.63
- CURVE NO. 2 - STA. 437+19.90 TO STA. 466+57.44
- CURVE NO. 3 - STA. 491+06.70 TO STA. 500+73.98



STA. 361+67 TO STA. 367+95 (8' SHLDR. WIDENING)  
 STA. 368+10 TO STA. 374+06 (4' SHLDR. WIDENING)

CAUTION:  
 Buried copper cables locate and 6" gas main proximity  
 locate this RT. stationing and West of Dempster Ln.

**LEGEND**

- 1. EXISTING P.C.C. PAVEMENT w/OVERLAY
- 2. EXISTING 8" P.C.C. WIDENING
- 3. EXISTING HOT-MIX ASPHALT SHLDR.
- 4. EXISTING GUTTER TYPE A OR TYPE B
- 5. PROPOSED HOT-MIX ASPHALT SURF. REM. 3/4"
- 6. PROPOSED POLYMERIZED LEVELING BINDER (M.M.) N-50, 3/4"
- 7. PROPOSED HOT-MIX ASPHALT SURF. CSE. MIX D, N-50, 1 1/2"
- 8. PROPOSED HOT-MIX ASPHALT SHLDR. (TOP LIFT), MIX C, N-30
- 9. PROPOSED AGG. SHLDR. TYPE B (WEDGE)
- 10. PROPOSED HOT-MIX ASPHALT SHLDR, 8"

S:\GEN DRAFT\STD&PLNS\SQUAD14\F-Contracts\68502 Farmington Rd.dgn

FILE NAME = 68502 Farmington Rd.dgn

USER NAME = jonesce	DESIGNED - CEJ	REVISED - ---
DRAWN - CEJ	REVISED - ---	
PLOT SCALE = 103.7051' / IN.	CHECKED - ENE	REVISED - ---
PLOT DATE = 1/26/2010	DATE - 01/15/2010	REVISED - ---

**STATE OF ILLINOIS  
 DEPARTMENT OF TRANSPORTATION**

<b>TYPICAL SECTIONS</b>	
SCALE: -----	SHEET NO. ___ OF ___ SHEETS STA. ----- TO STA. -----

F.A.U. RTE. 6659	SECTION 11RS-3	COUNTY PEORIA	TOTAL SHEETS 40	SHEET NO. 9
PPP			CONTRACT NO. 68502	
FED. ROAD DIST. NO. 4 ILLINOIS FED. AID PROJECT				

FARMINGTON RD. 3P-from KICKAPOO CRK. to IL.116