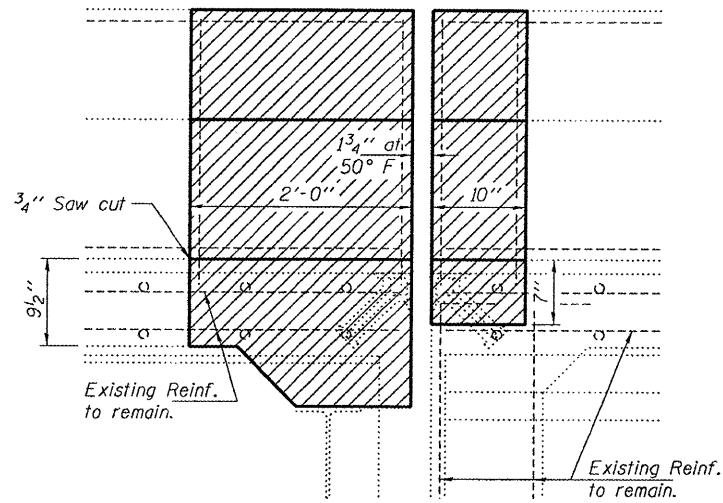
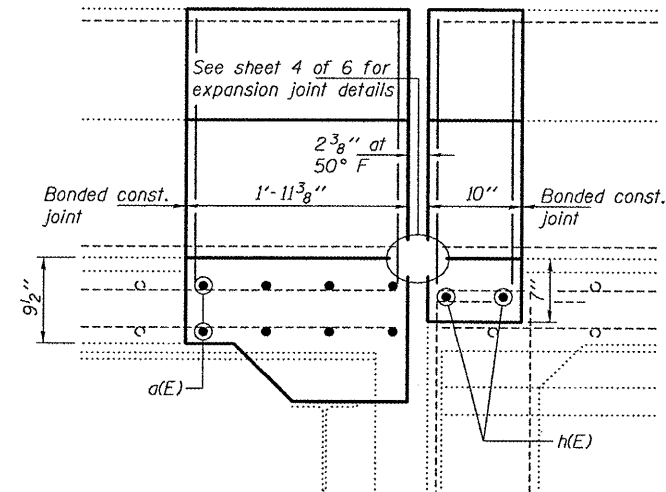


STATE OF ILLINOIS
DEPARTMENT OF TRANSPORTATION



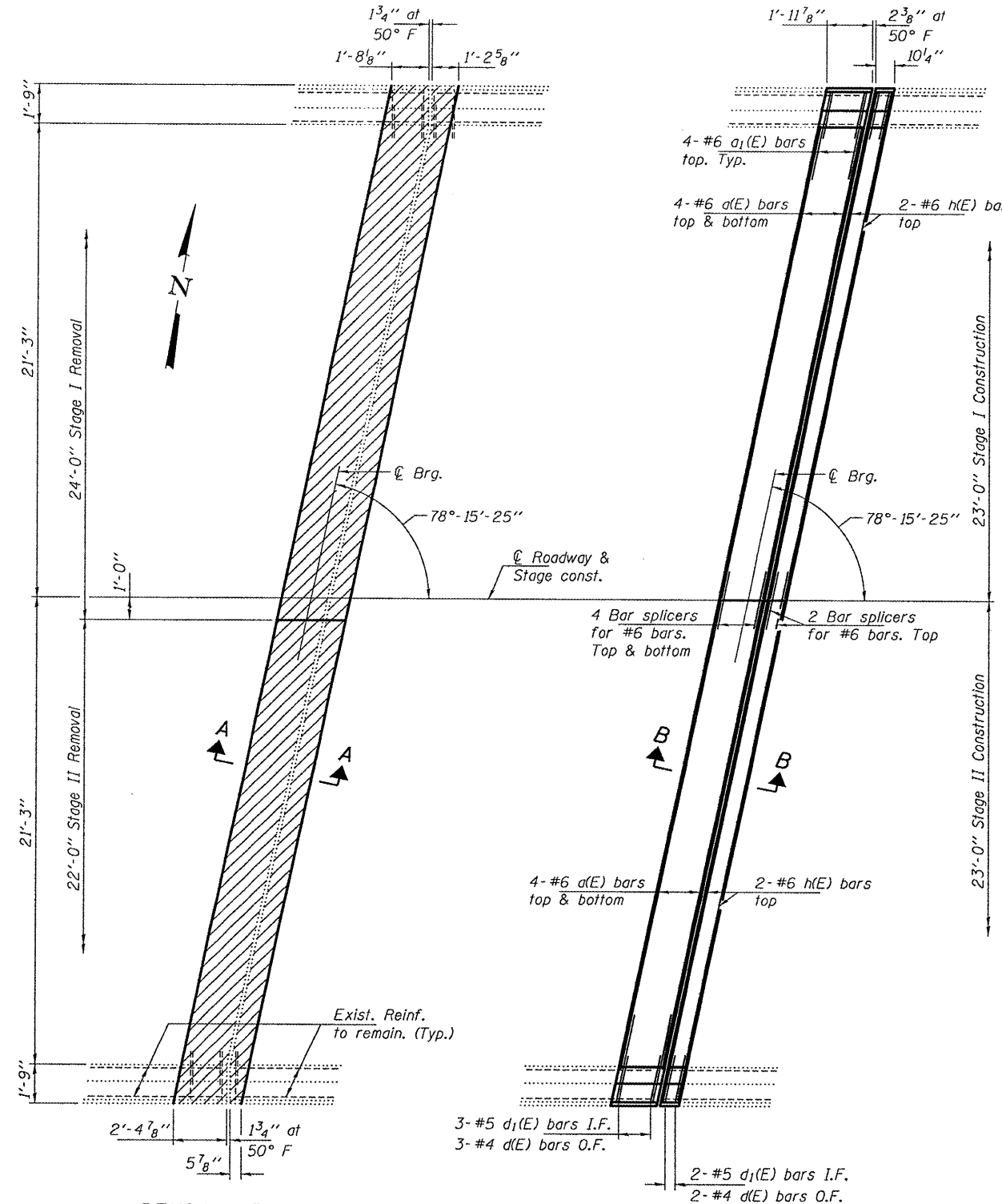
SECTION A-A

(Dims at RT L's to end of deck)



SECTION B-B

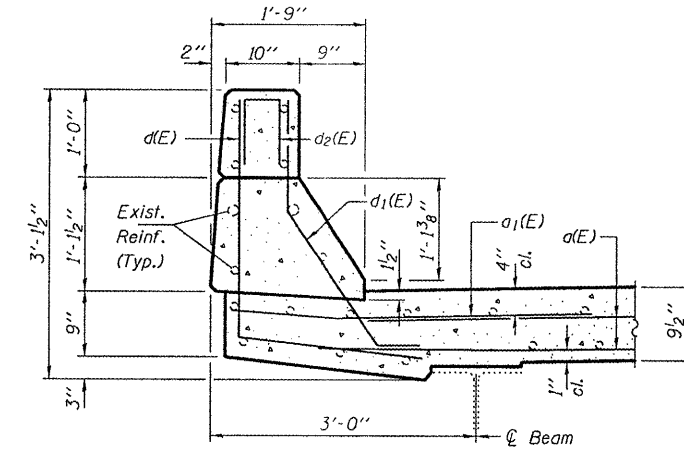
(Dims at RT L's to end of deck)



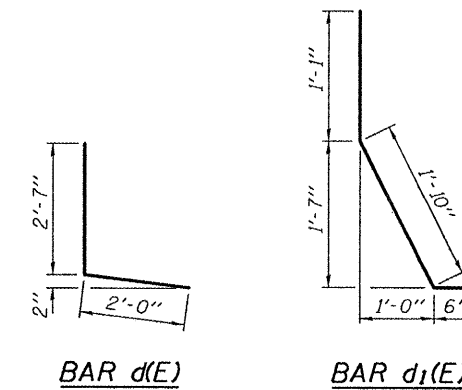
REMOVAL PLAN

REPLACEMENT PLAN

Notes:
Hatched areas indicate removal.



SECTION THRU PARAPET



BAR d(E)

BAR d1(E)

BILL OF MATERIAL

Bar	No.	Size	Length	Shape
a(E)	16	#6	21'-9"	—
a1(E)	8	#6	4'-0"	—
d(E)	10	#4	4'-7"	L
d1(E)	10	#5	3'-5"	L
h(E)	4	#6	23'-2"	—
Concrete Removal			Cu. Yd.	5.7
Concrete Superstructure			Cu. Yd.	5.7
Reinforcement Bars, Epoxy Coated			Lbs.	780

**EAST ABUTMENT
JOINT REPLACEMENT DETAILS
FARMINGTON ROAD OVER FAI 474
SN 072-0118**

DESIGNED	IJL
CHECKED	GGE
DRAWN	balliva
CHECKED	IJL GGE

FEBRUARY 11, 2010
EXAMINED *Carl P. ...*
ENGINEER OF STRUCTURAL SERVICES
PASSED *Ralph E. Anderson*
ENGINEER OF BRIDGES AND STRUCTURES

SHEET NO. 3 6 SHEETS	F.A.I. RTE. 474	SECTION 11 RS-3	COUNTY PEORIA	TOTAL SHEETS 40	SHEET NO. 23
	CONTRACT NO. 68502				
FED. ROAD DIST. NO.		ILLINOIS	FED. AID PROJECT		