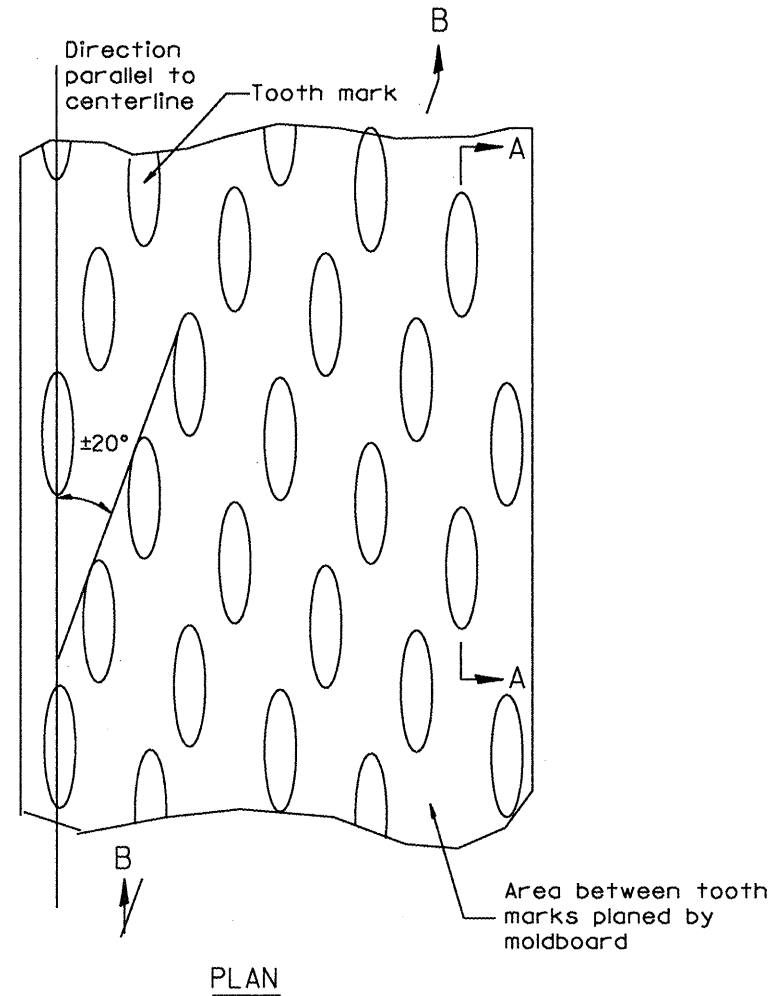
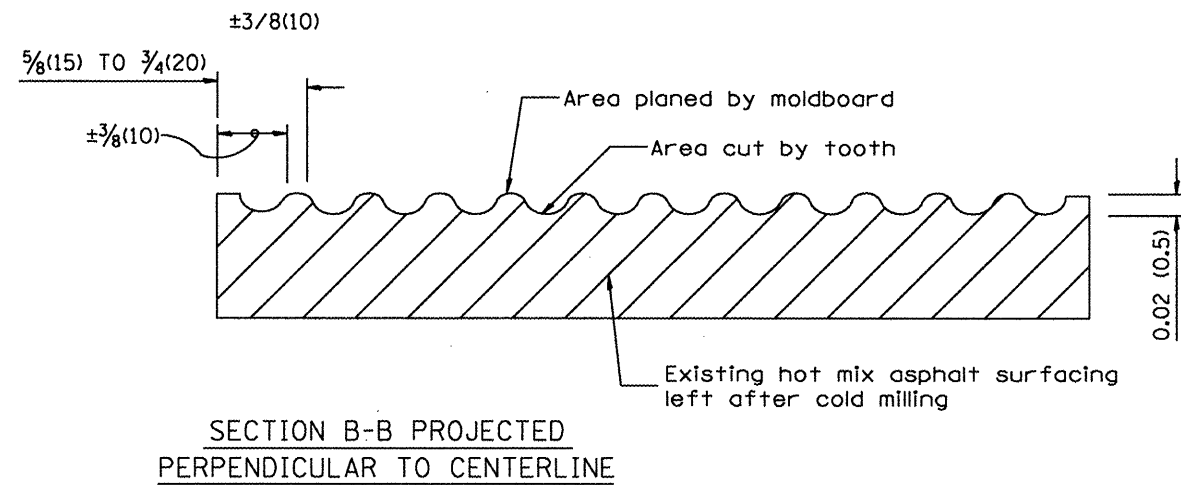
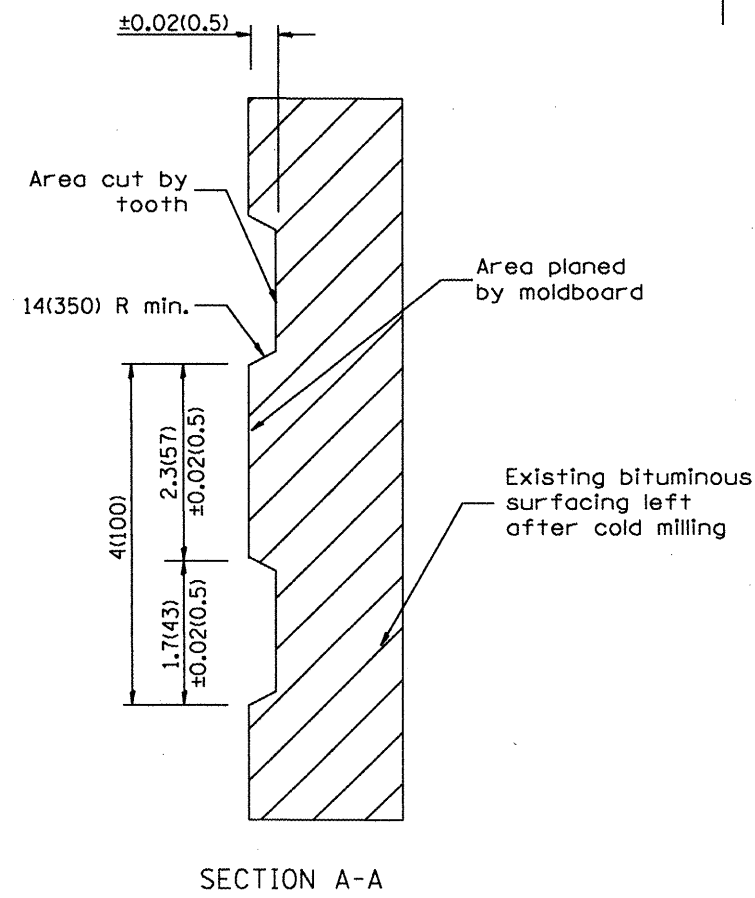


DESIGNER NOTES:  
1. INCLUDE DISTRICT SPECIAL PROVISION, IF APPLICABLE.



General notes:

1. Coldmilling shall consist of two processes: Cutting with carbide teeth mounted on a rotating drum, and planing with a moldboard mounted immediately behind the cutting drum.
2. Other similar patterns will be acceptable if they consist of a smooth, flat, planed surface interspersed with a pattern of discontinuous longitudinal striations.



All dimensions are in inches (millimeters) unless otherwise noted.

01-01-97	BENUM. C-104.01. NEW REVISION BOX	J.P.			
04-20-98	BEMOVED MILLING DETAIL FROM STANDARD	J.A.			
09-08-98	CORRECT NOTE LEADER PLACEMENT	B.W.			
10-16-06	REVISED TO 2007 SPEC.	M.A.			

STATE OF ILLINOIS  
DEPARTMENT OF TRANSPORTATION

HOT MIX ASPHALT SURFACE REMOVAL (COLD MILLING)

NOT TO SCALE

CADD STD. 440001-04

F.A.U. RTE.	SECTION	COUNTY	TOTAL SHEETS	SHEET NO.
6659	11 RS-3	PEORIA	40	35
PPP			CONTRACT NO. 68502	
FED. ROAD DIST. NO. 4 ILLINOIS FED. AID PROJECT				