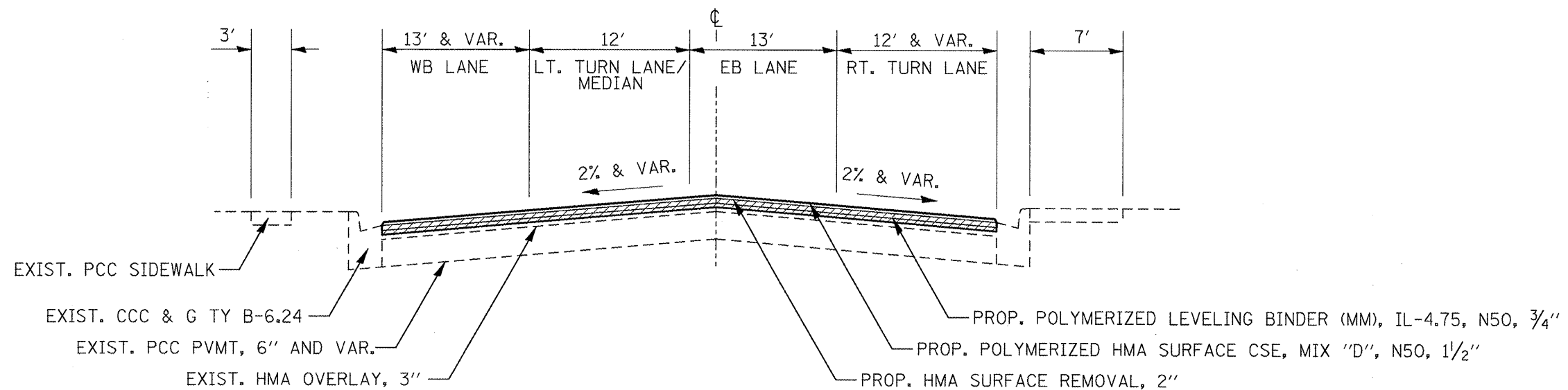


TYPICAL SECTION 1

STA. 395+69.00 TO STA. 398+55.64



TYPICAL SECTION 2

STA. 398+55.64 TO STA. 401+90.30

FILE NAME = 68570 - Phase II.dgn	USER NAME = johnsonv	DESIGNED -	REVISED -	STATE OF ILLINOIS DEPARTMENT OF TRANSPORTATION	TYPICAL SECTIONS			F.A.P. RTE.	SECTION	COUNTY	TOTAL SHEETS	SHEET NO.
	PLOT SCALE = 100.0000' / IN.	DRAWN -	REVISED -		317	31RS-2+30,391RS-3+32,331RS-4	WOODFORD	41	6			
PLOT DATE = 2/1/2010	CHECKED -	REVISED -	REVISED -		NOT TO SCALE SHEET NO. 1 OF 8 SHEETS STA. 395+69.00 TO STA. 401+90.30			CONTRACT NO. 68570				
	DATE -	REVISED -	REVISED -		ILLINOIS FED. AID PROJECT							