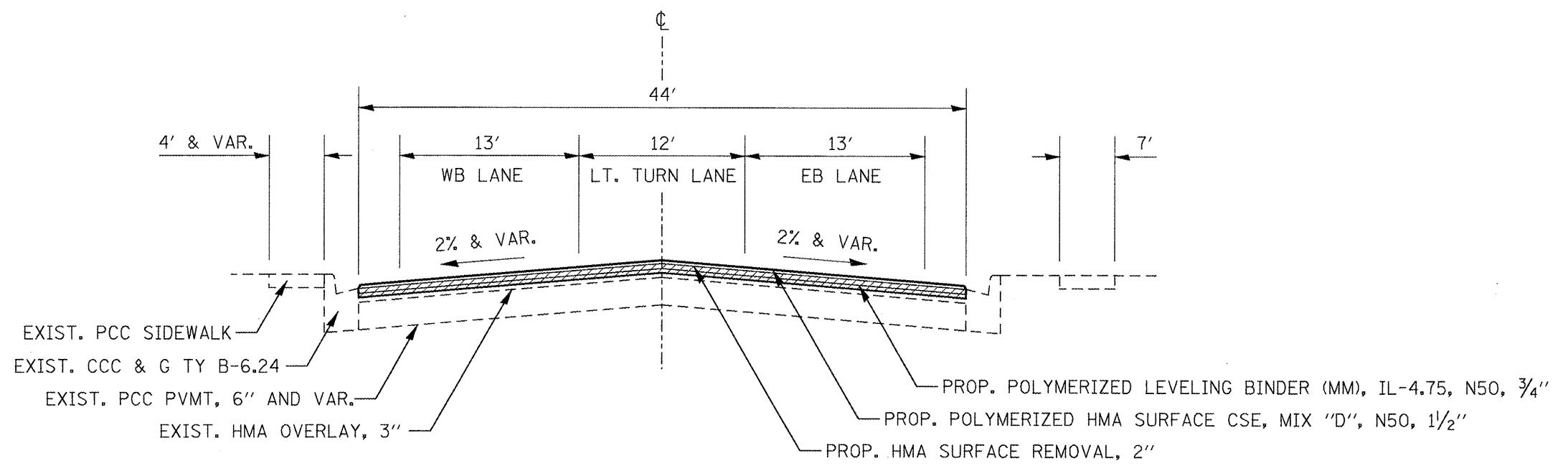


TYPICAL SECTION 3
 STA. 401+90.30 TO STA. 405+18.40



TYPICAL SECTION 4
 STA. 405+18.40 TO STA. 412+78.00

FILE NAME = 68570 - Phase II.dgn	USER NAME = johnsontv	DESIGNED -	REVISED -	STATE OF ILLINOIS DEPARTMENT OF TRANSPORTATION	TYPICAL SECTIONS			F.A.P. RTE.	SECTION	COUNTY	TOTAL SHEETS	SHEET NO.
	PLOT SCALE = 100.0000' / IN.	CHECKED -	REVISED -					317	31RS-2+30,39RS-3+32,33RS-4	WOODFORD	41	7
	PLOT DATE = 2/1/2010	DATE -	REVISED -		NOT TO SCALE	SHEET NO. 2 OF 8 SHEETS	STA. 401+90.30 TO STA. 412+78.00	CONTRACT NO. 68570				
								ILLINOIS FED. AID PROJECT				