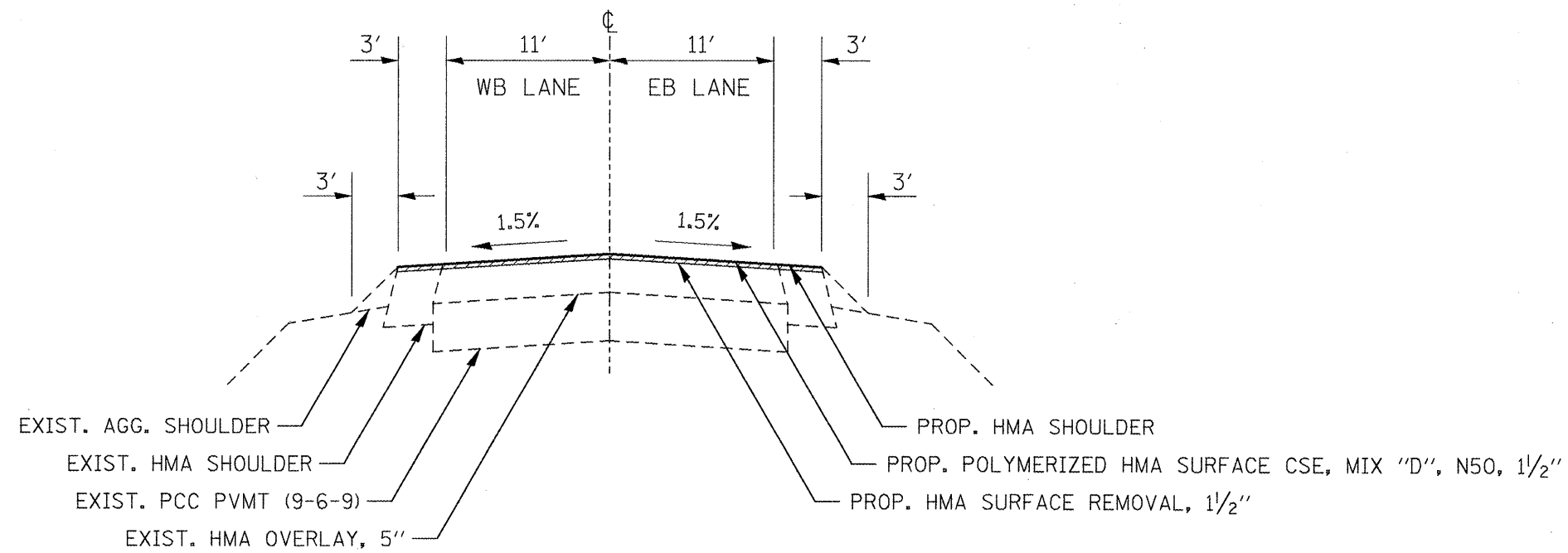


TYPICAL SECTION 15  
 STA. 767+15.00 TO STA. 787+00.00



TYPICAL SECTION 16  
 STA. 787+00.00 TO STA. 851+20.00

FILE NAME = 68570 - Phase 11.dgn	USER NAME = johnsontv	DESIGNED -	REVISED -	<b>STATE OF ILLINOIS DEPARTMENT OF TRANSPORTATION</b>	<b>TYPICAL SECTIONS</b>			F.A.P. RTE.	SECTION	COUNTY	TOTAL SHEETS	SHEET NO.
	PLOT SCALE = 100.0000 ' / IN.	CHECKED -	REVISED -					317	31RS-2+(30,39)RS-3+(32,33)RS-4	WOODFORD	41	13
	PLOT DATE = 2/1/2010	DATE -	REVISED -		REVISED -	NOT TO SCALE	SHEET NO. 8 OF 8 SHEETS	STA. 767+15.00 TO STA. 851+20.00	ILLINOIS FED. AID PROJECT CONTRACT NO. 68570			