

TYPICAL TREATMENT:
SIGNALIZED INTERSECTION

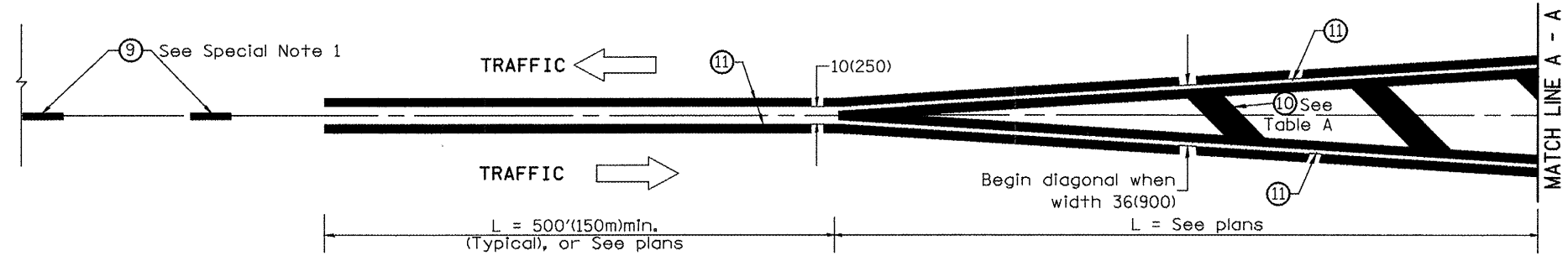
TYPICAL MEDIAN TRANSITIONS

FLUSH PAVED MEDIAN: RESTRICTED LEFT TURN LANE

TABLE A

RECOMMENDED SPACING BETWEEN DIAGONAL LINES

SPEED LIMIT RANGE	CONTINUOUS	INTERSECTION CHANNELIZATION (Includes Width Transitions for Median and Left Turn Lane Introductions)	
		5'	6'-6"
Less Than 30 mph (50 km/h)	50' (15m)	15' (5m)	20' (6m)
30 - 45 mph (50 - 70 km/h)	75' (23m)	15' (5m)	20' (6m)
Over 45 mph (70 km/h)	150' (46m)	15' (5m)	30' (9m)



MEDIAN INTRODUCTION - WIDTH TRANSITIONS

All dimensions are in inches (millimeters) unless otherwise noted.

STATE OF ILLINOIS
DEPARTMENT OF TRANSPORTATION

TYPICAL PAVEMENT MARKINGS

SHT. 2 OF 2
CADD STD. 780001-D4

F.A.P. RTE.	SECTION	COUNTY	TOTAL SHEETS	SHEET NO.
317	31RS-24(30,39)RS-34(32,33)RS-4	WOODFORD	41	41
FED. ROAD DIST. NO. ILLINOIS FED. AID PROJECT			CONTRACT NO. 68570	

NOT TO SCALE