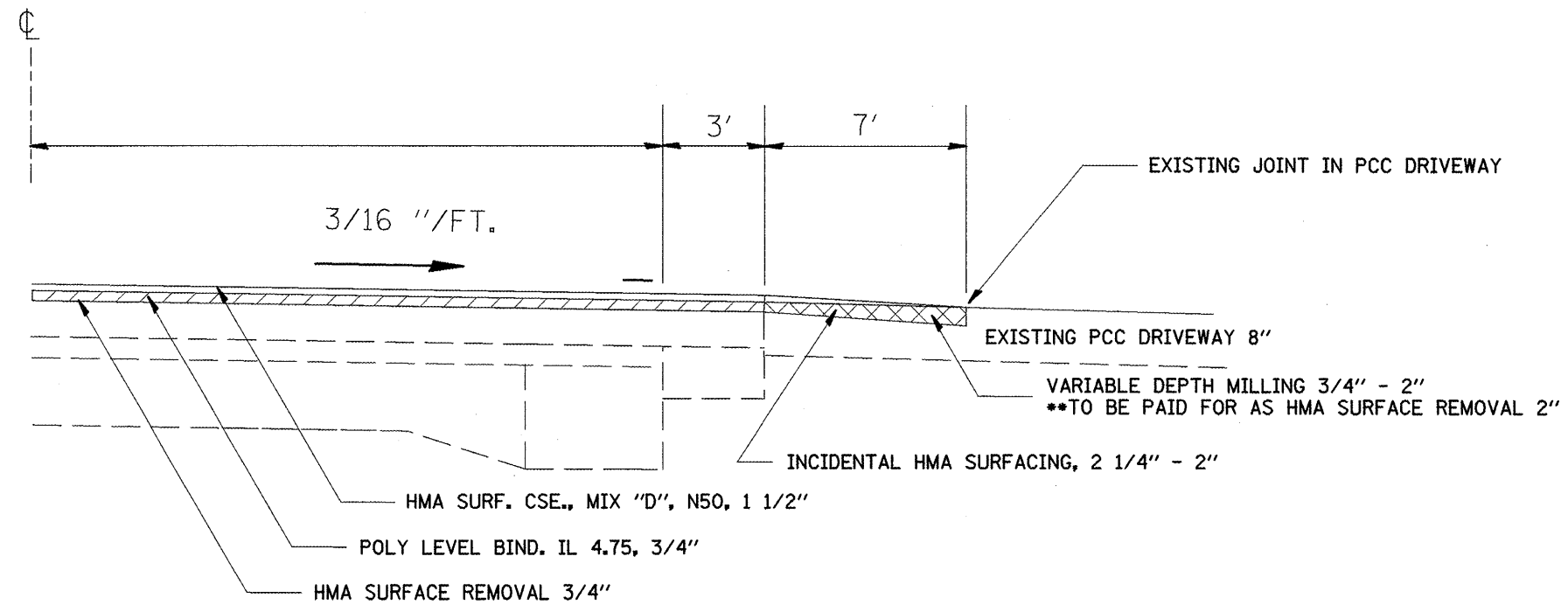


MILLING DETAIL FOR CONCRETE ENTRANCE TO PARSONS MFG STA 262+63



FILE NAME = 0468625-shr-typical.dgn	USER NAME = dietzsm	DESIGNED -	REVISED -
		DRAWN -	REVISED -
		CHECKED -	REVISED -
		DATE -	REVISED -

**STATE OF ILLINOIS
DEPARTMENT OF TRANSPORTATION**

DETAILS			
SCALE:	SHEET NO.	OF SHEETS	STA. TO STA.

F.A.P. RTE.	SECTION	COUNTY	TOTAL SHEETS	SHEET NO.
673	104)N,RS-5,106RS-2+107RS-6	WOODFORD	103	24
CONTRACT NO. 68625				
ILLINOIS FED. AID PROJECT				