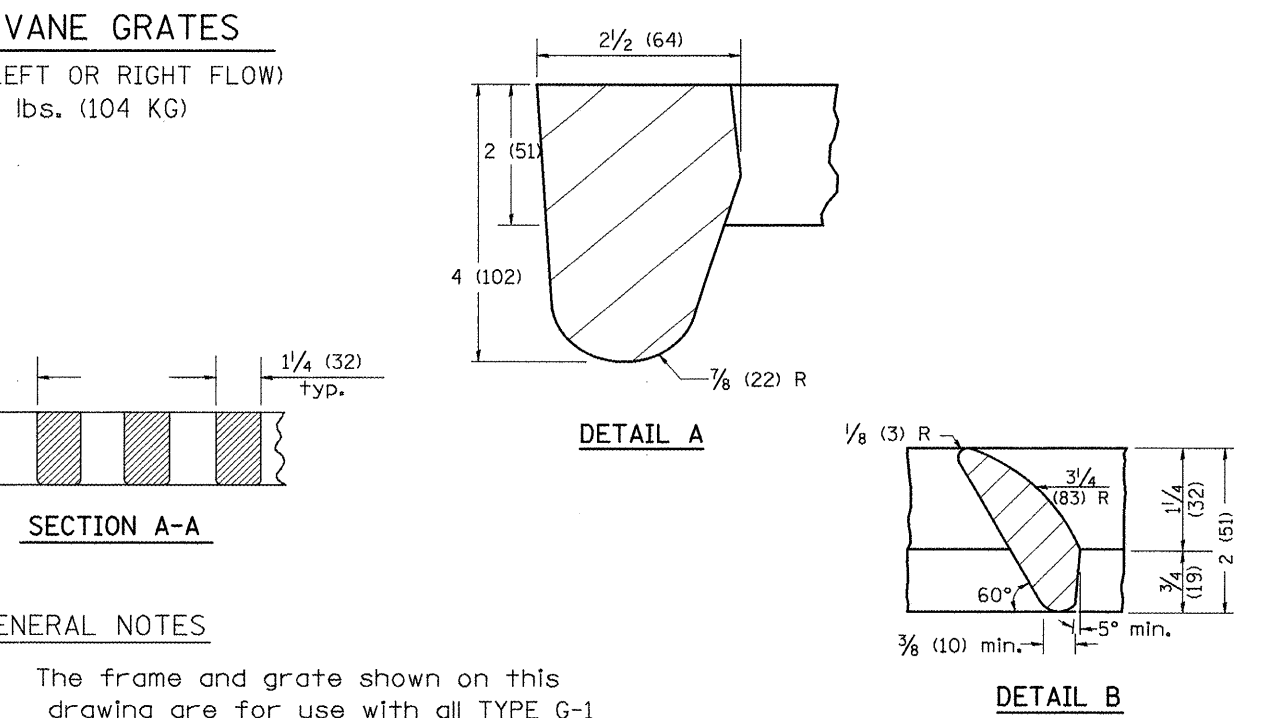
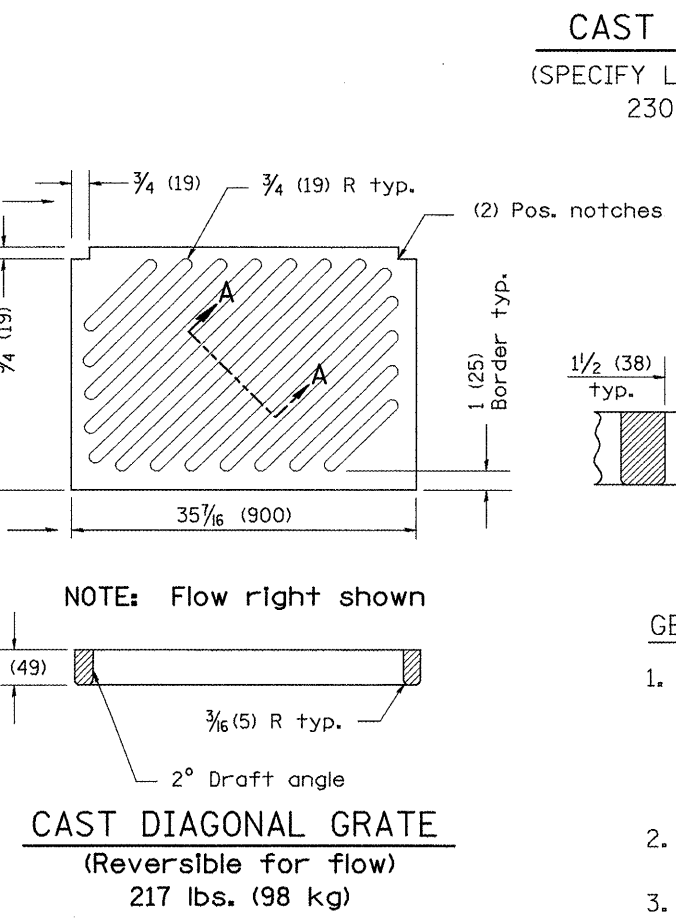
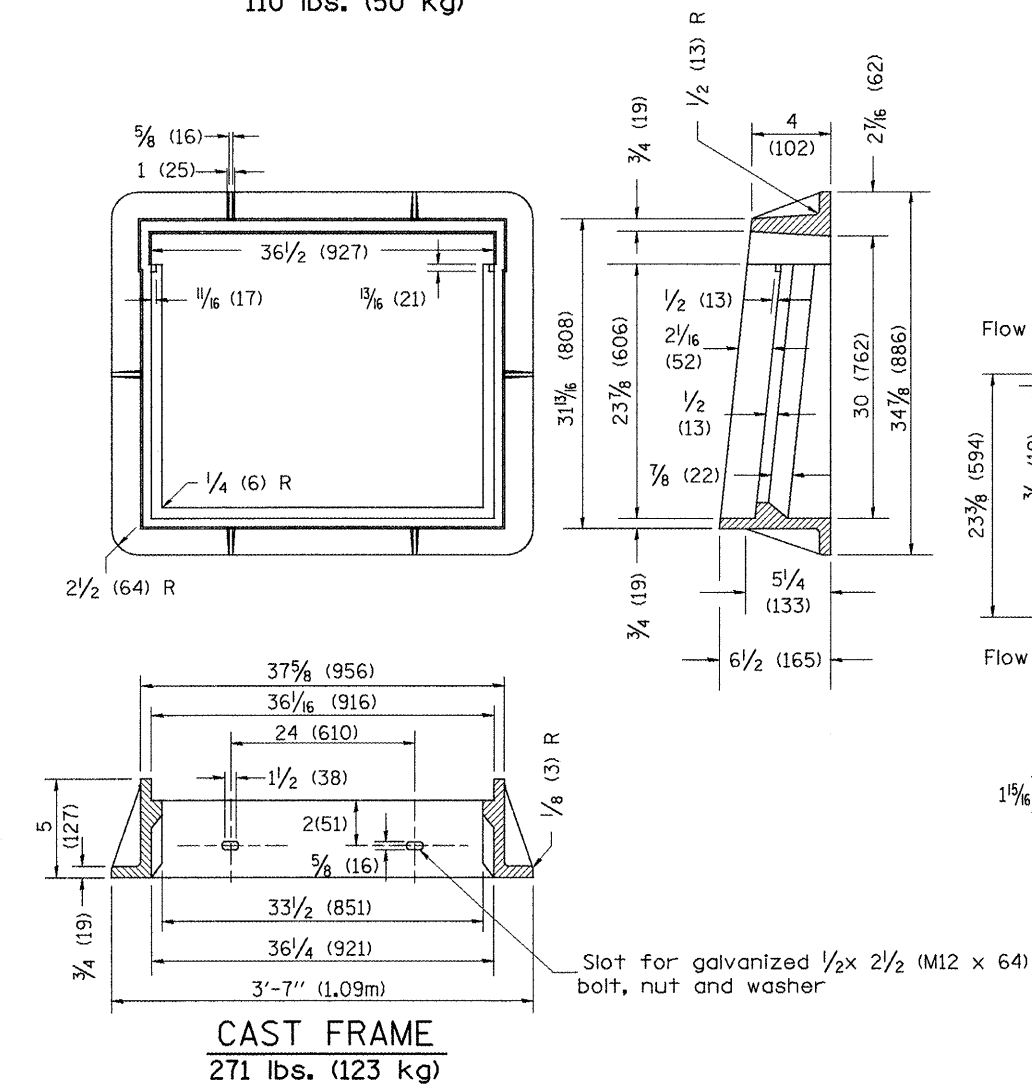
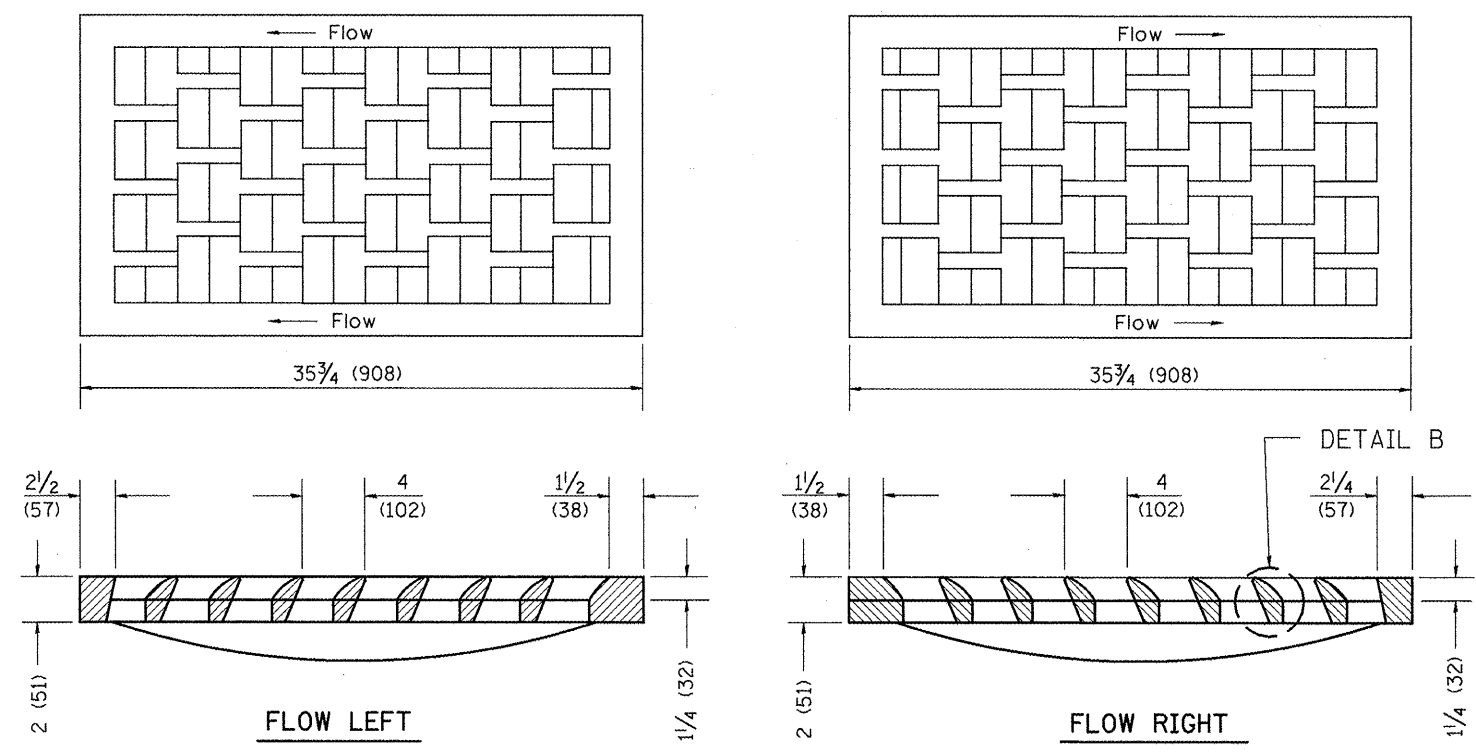
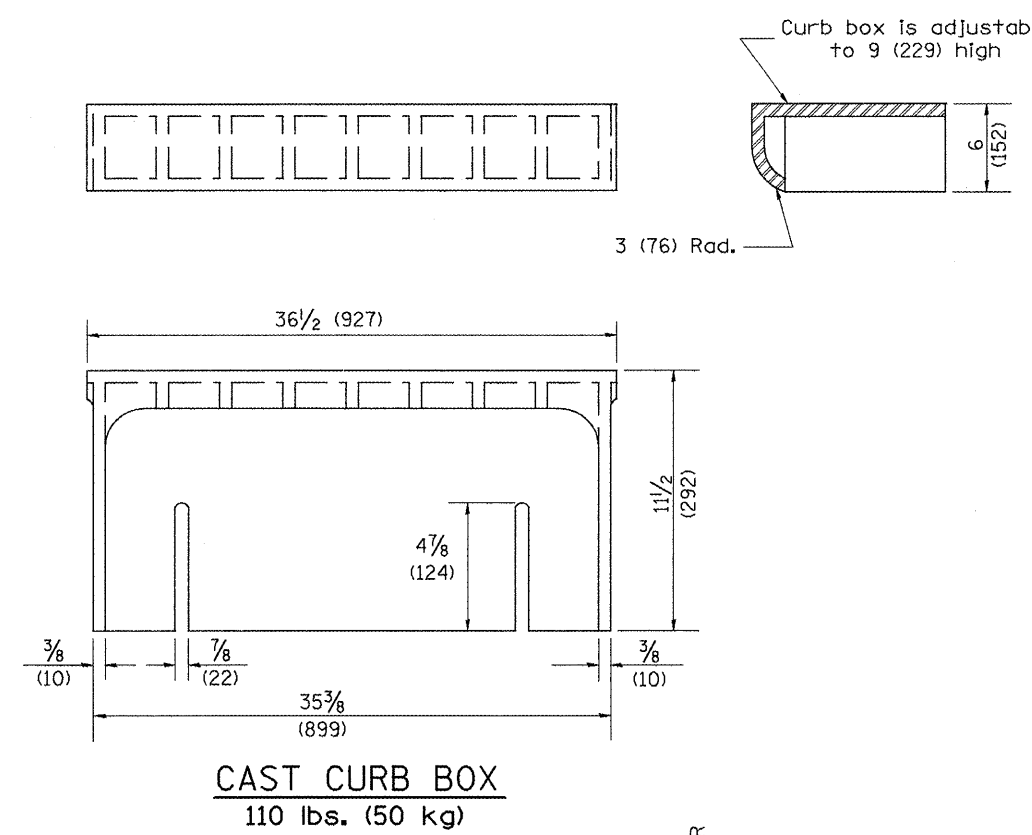


1. Specify grate types and flow directions in plans.
 2. These castings are included in the cost of the drainage structures as per District Special Provision.
 3. Inlet Frames R-3246-A, Curb Box R-3290, Reversible Diagonal Grates R-3246-A, Vane Grates R-3246-AL (flow left), Vane Grates R-3246-AR (flow right).



- GENERAL NOTES**
- The frame and grate shown on this drawing are for use with all TYPE G-1 and TYPE G-1, SPECIAL DRAINAGE STRUCTURES. See plans for grate type and flow direction.
 - Flow direction: As viewed from street side.
 - Material: cast gray iron.

All dimensions are in inches (millimeters) unless otherwise noted.

01-01-97	RENUM. B-10.01, NEW REVISION BOX	T.P.
10-16-06	REVISED TO 2007 SPEC.	M.A.

**STATE OF ILLINOIS
DEPARTMENT OF TRANSPORTATION**

**FRAME & GRATES FOR TYPE G-1 AND TYPE G-1,
SPECIAL DRAINAGE STRUCTURES**

NOT TO SCALE

F.A. RTE.	SECTION	COUNTY	TOTAL SHEETS	SHEET NO.
			103	60
CONTRACT NO.				
FED. ROAD DIST. NO.		ILLINOIS FED. AID PROJECT		