

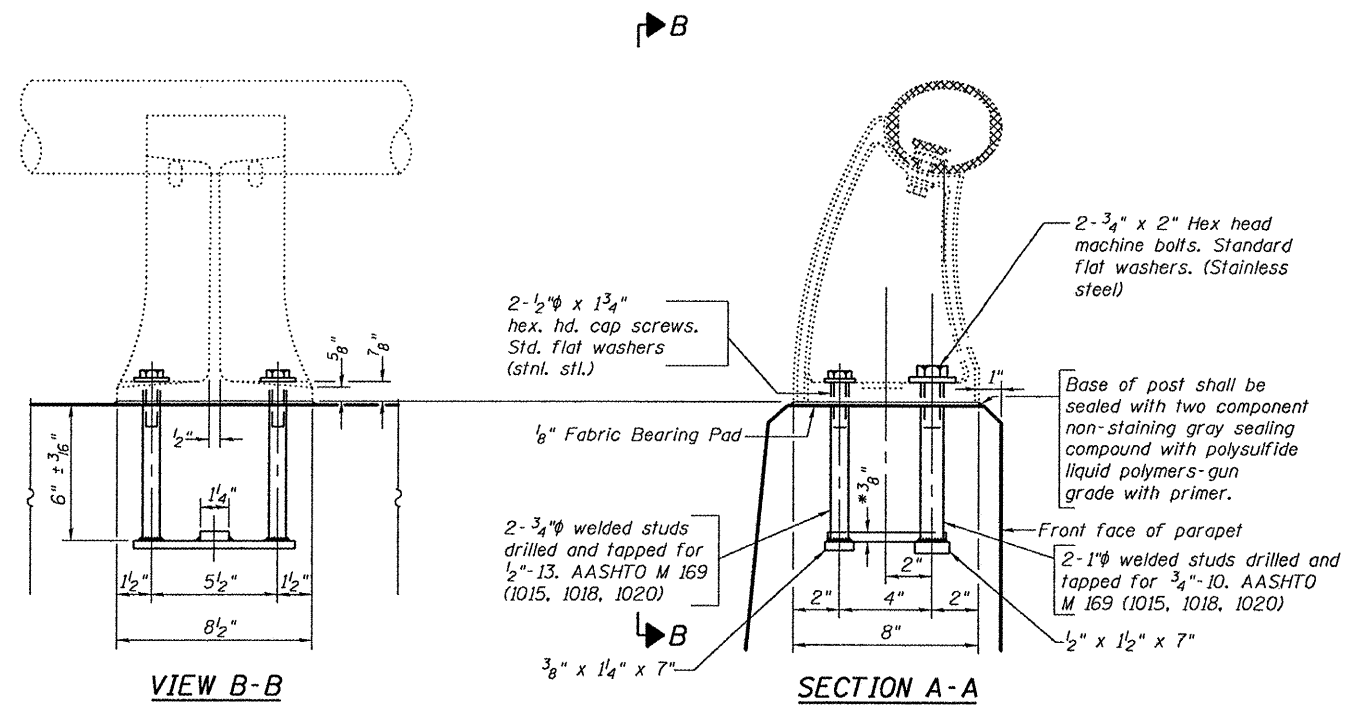
STATE OF ILLINOIS  
DEPARTMENT OF TRANSPORTATION

Notes:

All Posts shall be normal to parapet.

In lieu of the cast-in-place anchor device shown, the Contractor has the option of drilling and setting stainless steel anchor rods of the same diameter and grade as the specified cap screws according to Article 509.06 of the Standard Specifications. Embedment shall be according to the manufacturer's specifications.

Removal and re-erection of the existing aluminum handrail, rail post, and all new applicable hardware, including labor and installation shall be included in the cost of Concrete Removal.



RAIL POST DETAILS

DESIGNED	GGE
CHECKED	I.J.L.
DRAWN	Drew Christopher
CHECKED	GGE I.J.L.

March 15, 2010  
 EXAMINED *Carl Prosky*  
 ENGINEER OF STRUCTURAL SERVICES  
 PASSED *Ralph E. Anderson*  
 ENGINEER OF BRIDGES AND STRUCTURES

RAILING DETAILS  
SN 090-0110

SHEET NO.	F.A.P. RTE.	SECTION	COUNTY	TOTAL SHEETS	SHEET NO.
5	673	101RS-3, 102RS-4, 103RS-4, 104RS-7	Tazewell	60	31A
FED. ROAD DIST. NO. ILLINOIS				FED. AID PROJECT	
				CONTRACT NO. 68920	