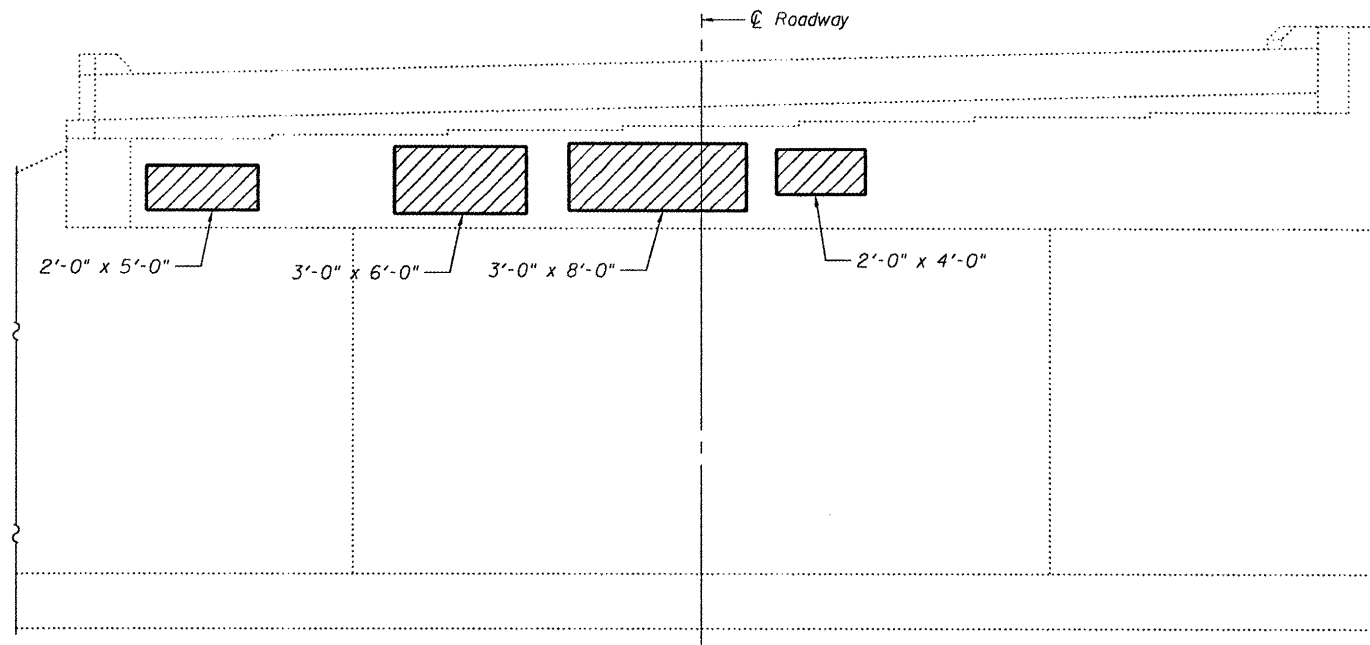
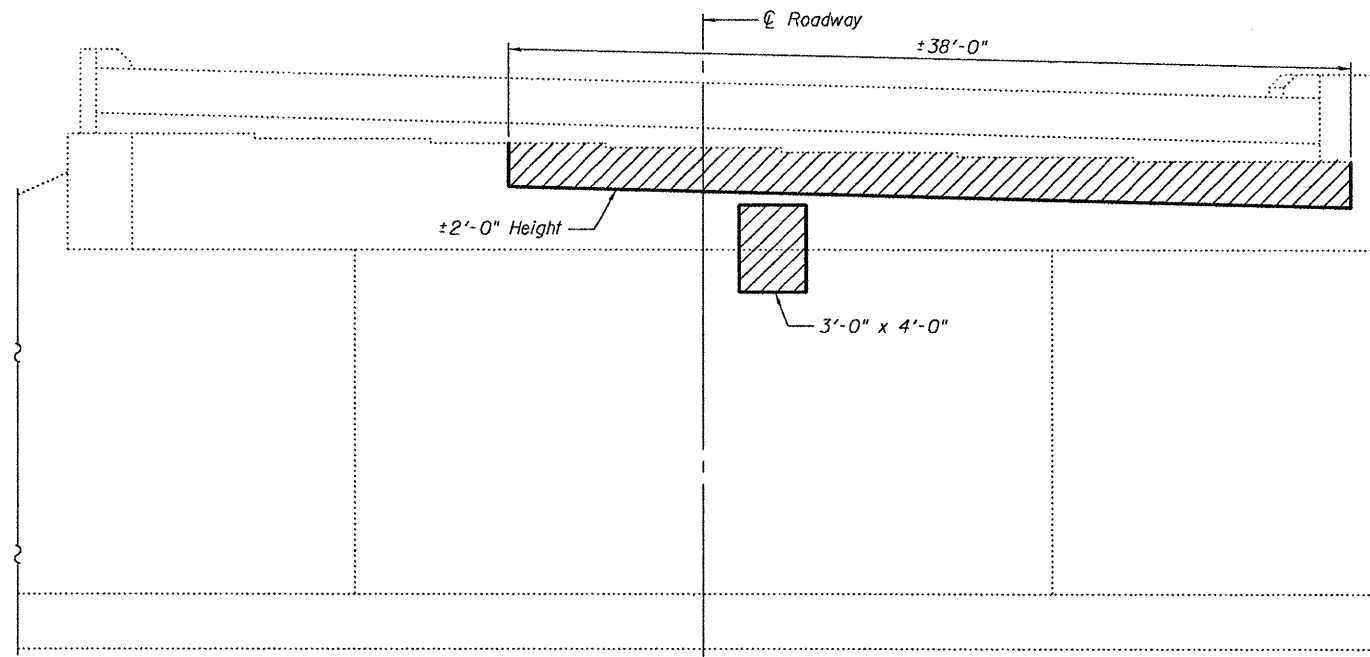


STATE OF ILLINOIS
DEPARTMENT OF TRANSPORTATION

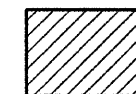


WEST ABUTMENT ELEVATION



EAST ABUTMENT ELEVATION

Structural Repair of
Concrete (Depth ≤ 5")



BILL OF MATERIAL

ITEM	UNIT	QUANTITY
Structural Repair of Concrete (Depth ≤ 5")	Sq. Ft.	148

DESIGNED	I.J.L.
CHECKED	A.T.H.
DRAWN	Drew Christopher
CHECKED	I.J.L. A.T.H.

March 11, 2010

EXAMINED	<i>A. Carl Hoyer</i> ENGINEER OF STRUCTURAL SERVICES
PASSED	<i>Ralph E. Anderson</i> ENGINEER OF BRIDGES AND STRUCTURES

ABUTMENT REPAIR DETAILS
SN 029-0027

SHEET NO. 4	F.A. RTE.	SECTION	COUNTY	TOTAL SHEETS	SHEET NO.
	622	(128BR-1)I	Fulton	23	15
7 SHEETS	CONTRACT NO. 68927				
FED. ROAD DIST. NO.		ILLINOIS	FED. AID PROJECT		