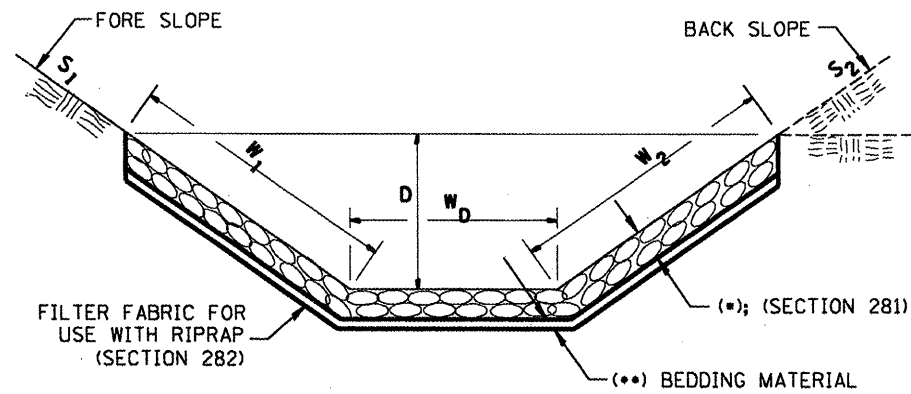


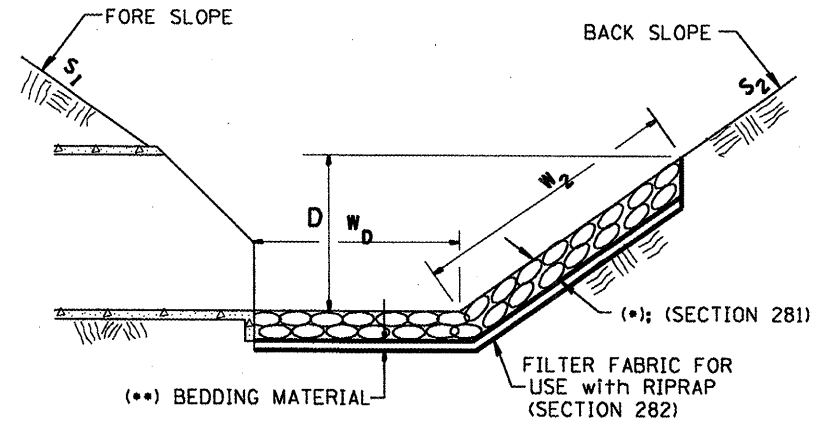
**CASE 1  
(DITCH)**



CASE 1				
LOCATION	WIDTH (1)	LENGTH	RIPRAP	FABRIC
STA TO STA	lin ft (m)	lin ft (m)	tons (m tons)	sq yds (m <sup>2</sup> )
LT STA 121+31 TO STA 121+77.5	16	47	55.7	83.6
LT STA 121+84.5 TO STA 122+31	16	47	55.7	83.6
<b>TOTAL</b>			<b>111</b>	<b>167</b>

(1) WIDTH =  $W_1 + W_2 + W_D$

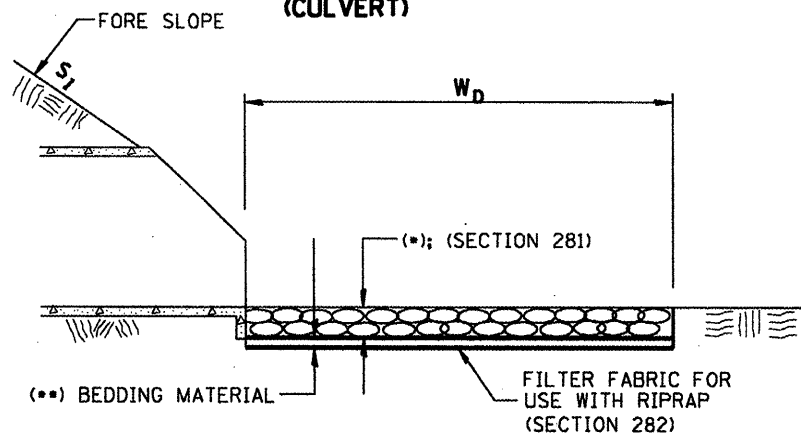
**CASE 2  
(CULVERT & SLOPE)**



CASE 2				
LOCATION	WIDTH (1)	LENGTH	RIPRAP	FABRIC
STA TO STA	lin ft (m)	lin ft (m)	tons (m tons)	sq yds (m <sup>2</sup> )
RT STA 121+77.5 TO STA 121+84.5	11.5	7	6	9
<b>TOTAL</b>			<b>6</b>	<b>9</b>

(1) WIDTH =  $W_2 + W_D$

**CASE 3  
(CULVERT)**



CASE 3				
LOCATION	WIDTH (1)	LENGTH	RIPRAP	FABRIC
STA TO STA	lin ft (m)	lin ft (m)	tons (m tons)	sq yds (m <sup>2</sup> )
LT STA 121+77.5 TO STA 121+84.5	8.6	7	5	7
<b>TOTAL</b>			<b>5</b>	<b>7</b>

(1) WIDTH =  $W_D$

**NOTES**

STONE DUMPED RIPRAP SHALL BE CLASS A4, AND SHALL BE PLACED AT A MINIMUM OF 16 INCHES.

BEDDING MATERIAL SHALL BE CLASS A1, AND SHALL BE PLACED AT A THICKNESS OF 6 INCHES.

FILTER FABRIC SHALL BE REQUIRED AND SHALL CONFORM TO SECTION 282 OF THE STANDARD SPECIFICATIONS.

**JOBSITE TOTALS**

LOCATION	STONE DUMPED RIPRAP, CLASS A4	FILTER FABRIC
STA TO STA	tons (m tons)	sq yds (m <sup>2</sup> )
LT STA 121+31 TO STA 121+77.5	55.7	83.6
LT STA 121+77.5 TO STA 121+84.5	5	7
LT STA 121+84.5 TO STA 122+31	55.7	83.6
RT STA 121+77.5 TO STA 121+84.5	6	9
<b>GRAND TOTAL</b>	<b>122</b>	<b>183</b>

All slope ratios are expressed as units of vertical displacement to units of horizontal displacement (V:H).

All dimensions are in inches (millimeters) unless otherwise noted.

RIPRAP CONVERSION FACTOR - 1.5 TON/CU YD

1-1-97	RENLM, A-12.02, NEW REVISION BOX	T.P.	07-20-09	CALC. BY	K.K.
12-1-97	CORRECT FILTER FABRIC LEADER ARROW	J.A.			
10-16-06	REVISED TO 2007 SPEC.	M.A.			

STATE OF ILLINOIS  
DEPARTMENT OF TRANSPORTATION

RIPRAP DITCH FOR EROSION PROTECTION  
DETAIL

NOT TO SCALE SHEET NO. 1 OF 1 SHEETS STA. 121+31 TO STA. 122+31

F.A.P. RTE.	SECTION	COUNTY	TOTAL SHEETS	SHEET NO.
2402	112C-3	PEORIA	18	14
CONTRACT NO. 68932			ILLINOIS FED. AID PROJECT	