

# DROP BOX NO. 1

## BILL OF MATERIAL

BAR	SIZE	NO.	LENGTH	WEIGHT (LB)
d	5	2	*	**
f	6	7	1'-9"	18.40
h	5	10	5'-8"	59.11
h1	5	16	3'-8"	61.19
h2	6	7	5'-8"	59.58
h3	6	5	3'-8"	27.54
v	5	20	4'-6"	93.87
v1	6	4	6'-0"	36.05
DESCRIPTION		UNIT	QTY	
CLASS "SI" CONCRETE		CU YD	2.21	
REINFORCEMENT BARS		LB	366	

- \* CUT IN FIELD TO FIT
- \*\* WEIGHT IS FROM CUT TO FIT v BARS FROM FRONT WALL

DESCRIPTION	UNIT	QTY.
3/2" Galvanized Steel Pipe	3e	4'-0"
Expansion Bolts 1/2"	EACH	12
3/2" Galv. Pipe Caps	EACH	6
1/4" Galv. Stl. Plate (9" Nominal)	EACH	6
1/2"x4"x14" Galv. Steel Plate	EACH	6

## GENERAL NOTES

This work shall be done according to the applicable portion of 503, 508, and 540 of the Standard Specifications. Class "SI" Concrete shall be used. Exposed edges shall be beveled 3/4".

The contract unit price "each" for DROP BOX NO. 1 shall include the Expansion Bolts, Galvanized Pipe, Class "SI" Concrete, Reinforcement Bars, Bolts, Nuts, Washers, Steel Plates, earth excavation where required, and necessary grading to fit the Inlet as shown in the cross sections or to the slope.

Reinforcement bars shall conform to the requirements of AASHTO M-31 or M-53, Grade 60.

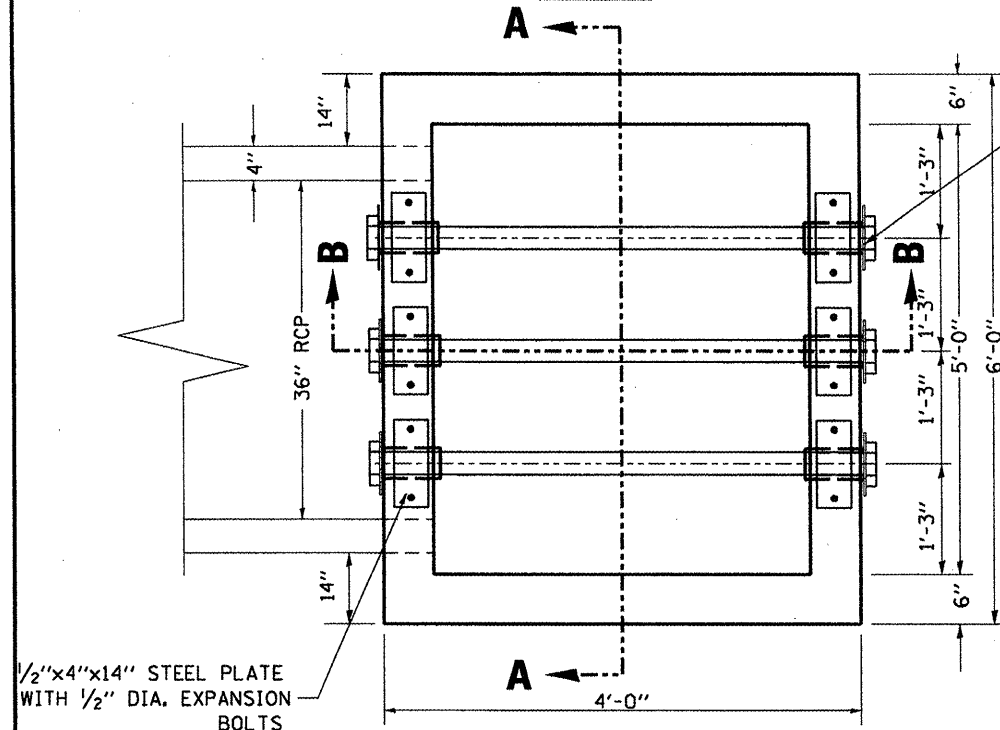
STEEL PLATES SHALL CONFORM TO AASHTO M-183 AND SHALL BE GALVANIZED CONFORMING TO AASHTO M-111.

Contractor shall field verify box dimensions prior to ordering.

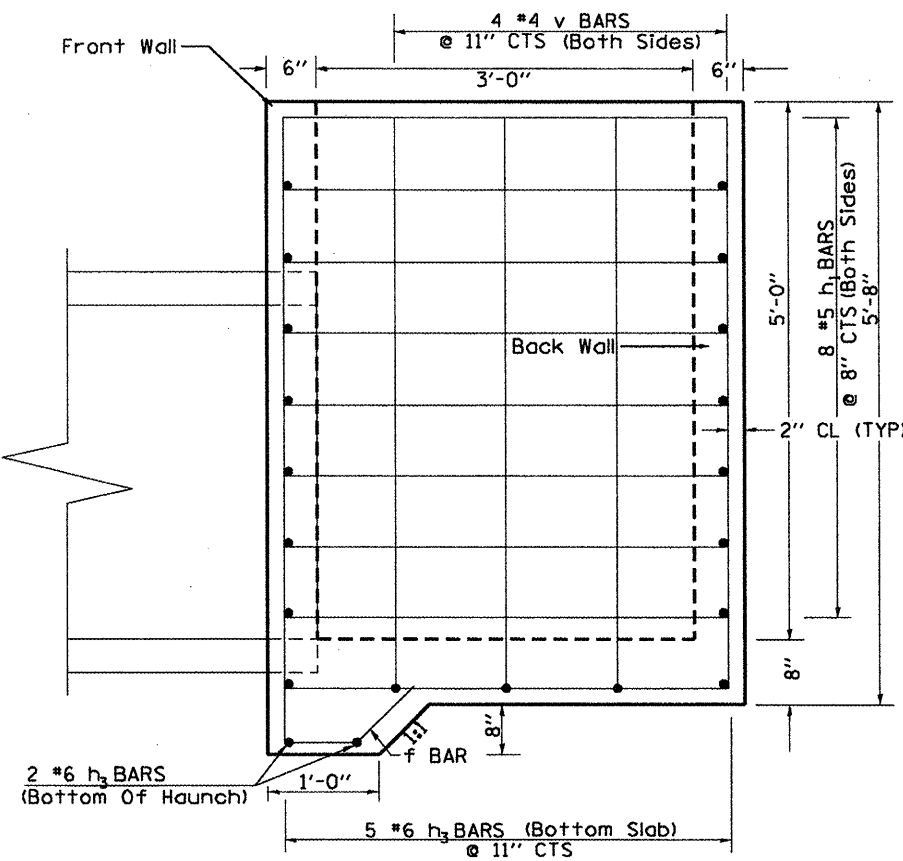
Bolts, Nuts, and Washers shall be in accordance with Article 710.11 of the Standard Specification and shall be galvanized.

Order h bars and v bars full length for the front wall and cut to fit in the field. Use cut-offs for d bars and cut to fit.

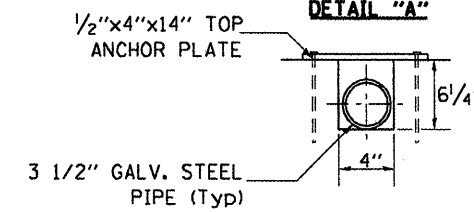
## PLAN



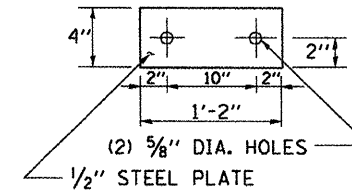
## SECTION B-B



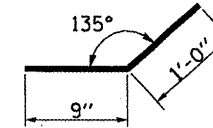
## DETAIL "A"



## TOP ANCHOR PLATE



## BAR f



## SECTION A-A

