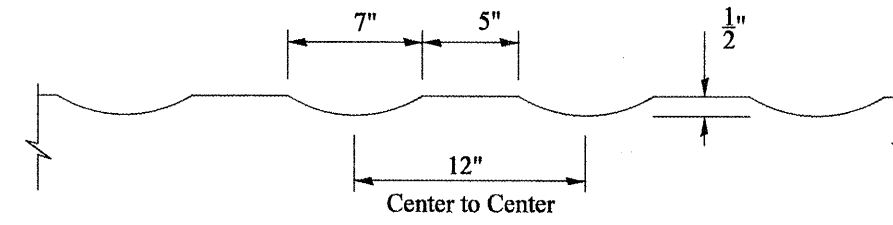
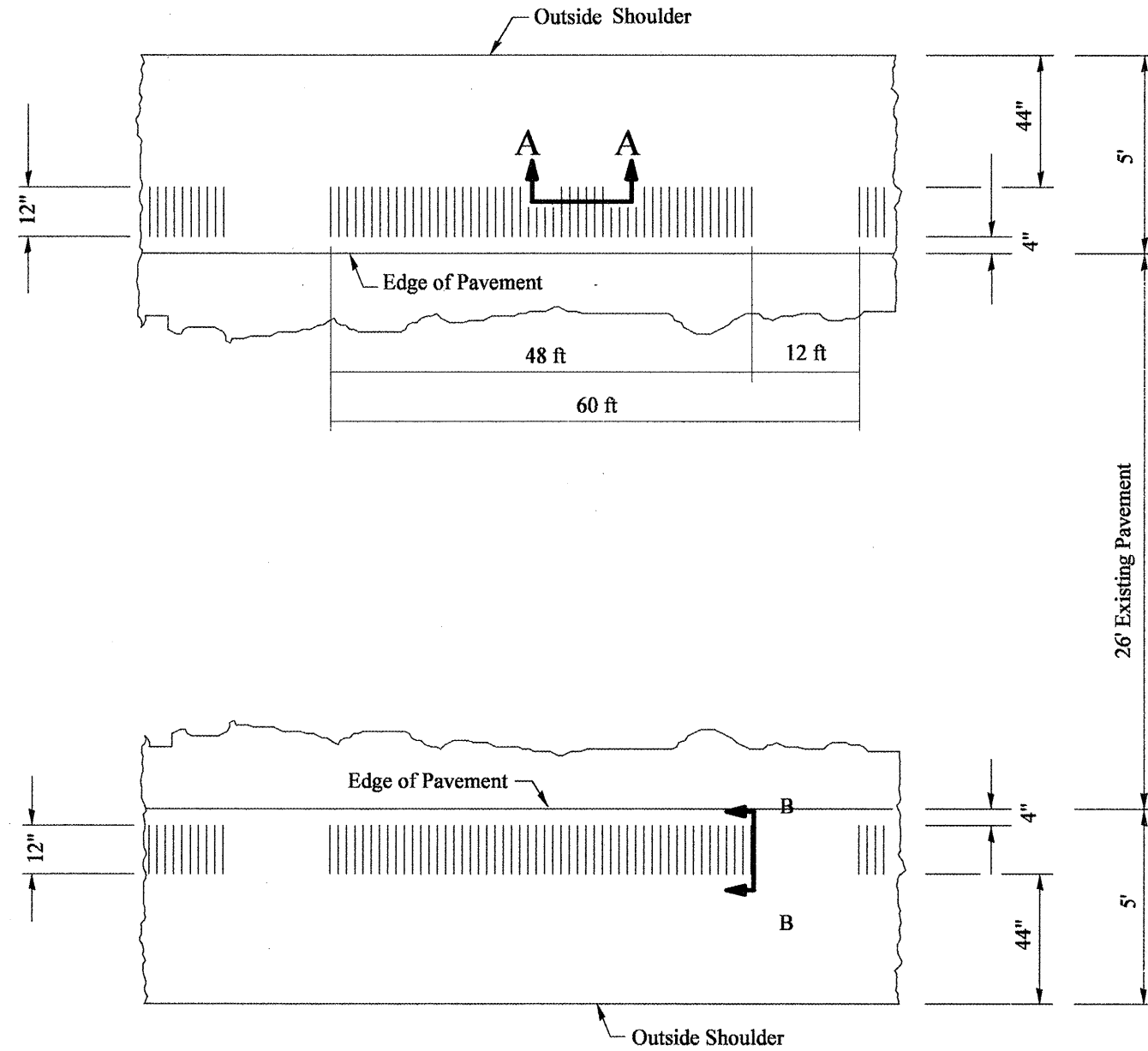
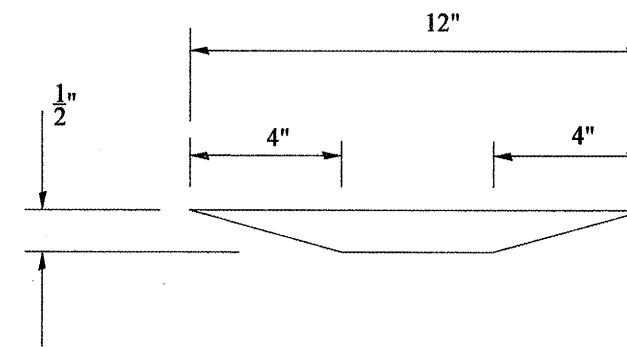


GENERAL NOTES

1. THIS STANDARD GIVES CONSTRUCTION INSTALLATION DETAILS ONLY AND DOES NOT DETERMINE WHEN OR WHERE RUMBLE STRIPS ARE TO BE USED.
2. RUMBLE STRIPS SHALL BE OMITTED AT TURN AND AUXILIARY LANES, ROAD APPROACHES, RESIDENCE, 250 FT. BEFORE ROAD INTERSECTIONS, AND OTHER INTERRUPTIONS AS DIRECTED BY THE PROJECT ENGINEER.



SECTION A-A
(Not to Scale)



SECTION B-B
(Not to Scale)

INTERMITTENT RUMBLE STRIP
(Not to Scale)

FILE NAME = D468960-sht-plan.dgn	USER NAME = mendezipj	DESIGNED -	REVISED -
		DRAWN -	REVISED -
	PLOT SCALE = 100.0000' / IN.	CHECKED -	REVISED -
	PLOT DATE = 1/12/2010	DATE -	REVISED -

STATE OF ILLINOIS
DEPARTMENT OF TRANSPORTATION

INTERMITTENT RUMBLE STRIP DETAIL

SCALE: NONE SHEET NO. OF SHEETS STA. TO STA.

F.A.P. RTE.	SECTION	COUNTIES	TOTAL SHEETS	SHEET NO.
648	(126,127) RS-3	WOODFORD & MARSHALL	22	15
CONTRACT NO. 68960				
ILLINOIS FED. AID PROJECT				