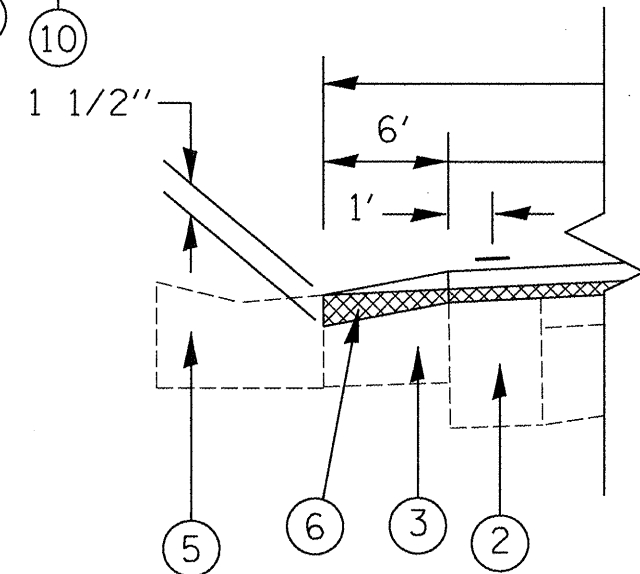
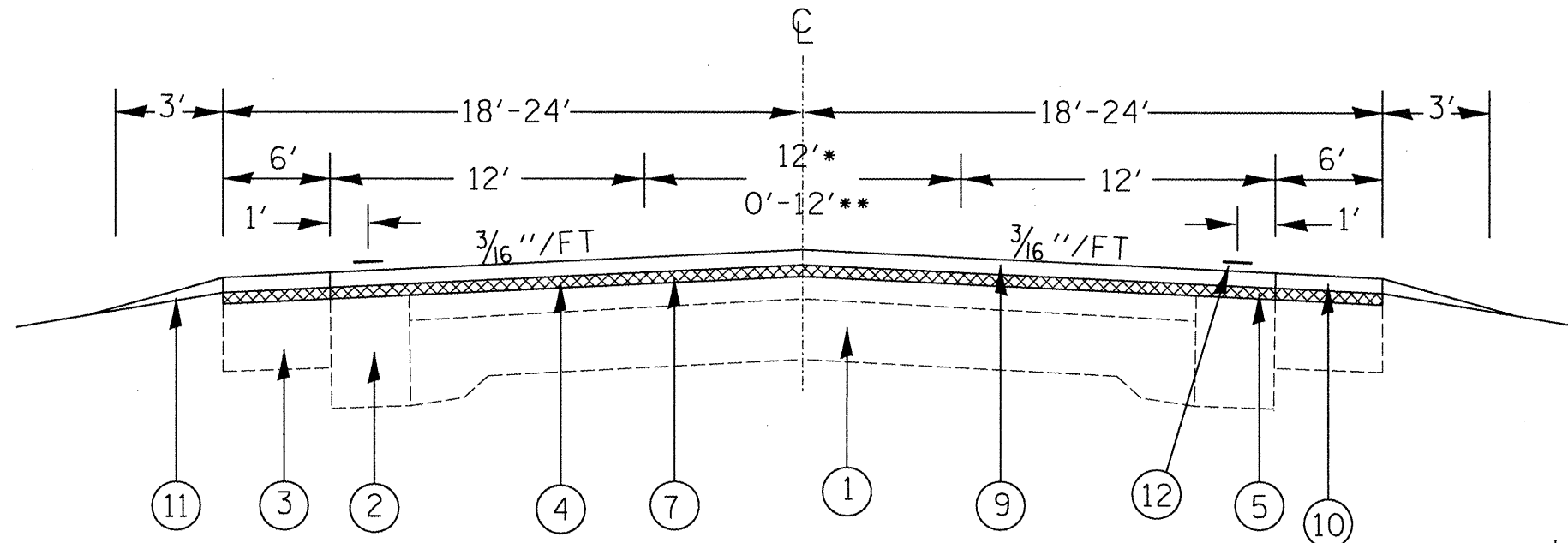


NOT TO SCALE

ROUTE		SECTION	COUNTY	SHEET	
F.A.P.	669	15-RS-6;(14,13,11R)	PEORIA	TOTAL	NO.
MKD.	IL 116	RS-4;(10R)RS-7		65	15



RT STA. 12+35 TO 17+52

1. EXISTING PCC PAVEMENT
2. EXISTING HOT-MIX ASPHALT WIDENING
3. EXISTING HOT-MIX ASPHALT SHOULDER
4. EXISTING HOT-MIX ASPHALT OVERLAY
5. EXISTING GUTTER
6. PROPOSED HOT-MIX ASPHALT SURFACE REMOVAL, VARIABLE DEPTH
7. PROPOSED HOT-MIX ASPHALT SURFACE REMOVAL, 3/4 "
8. PROPOSED HOT-MIX-ASPHALT SURFACE REMOVAL, 1 1/2"
9. PROPOSED HOT-MIX ASPHALT SURFACE COURSE, MIX "E", N50 1 1/2"
10. PROPOSED HOT-MIX-ASPHALT SHOULDER, MIX "C", N50 1 1/2"
11. PROPOSED AGG. SHLD. TY B (WEDGE)
12. PROPOSED EPOXY PAVEMENT MARKING LINE 4"

**STA. 515+04.71 TO STA. 516+80
 **STA. 4+23.94 TO STA. 7+50
 *STA. 7+50 TO STA. 13+50
 **STA. 13+50 TO STA. 17+52

STATION EQUATION:
 STA. 4+23.94 (BK)
 = STA. 515+04.71 (AH)

TYPICAL SECTIONS
 IL 116