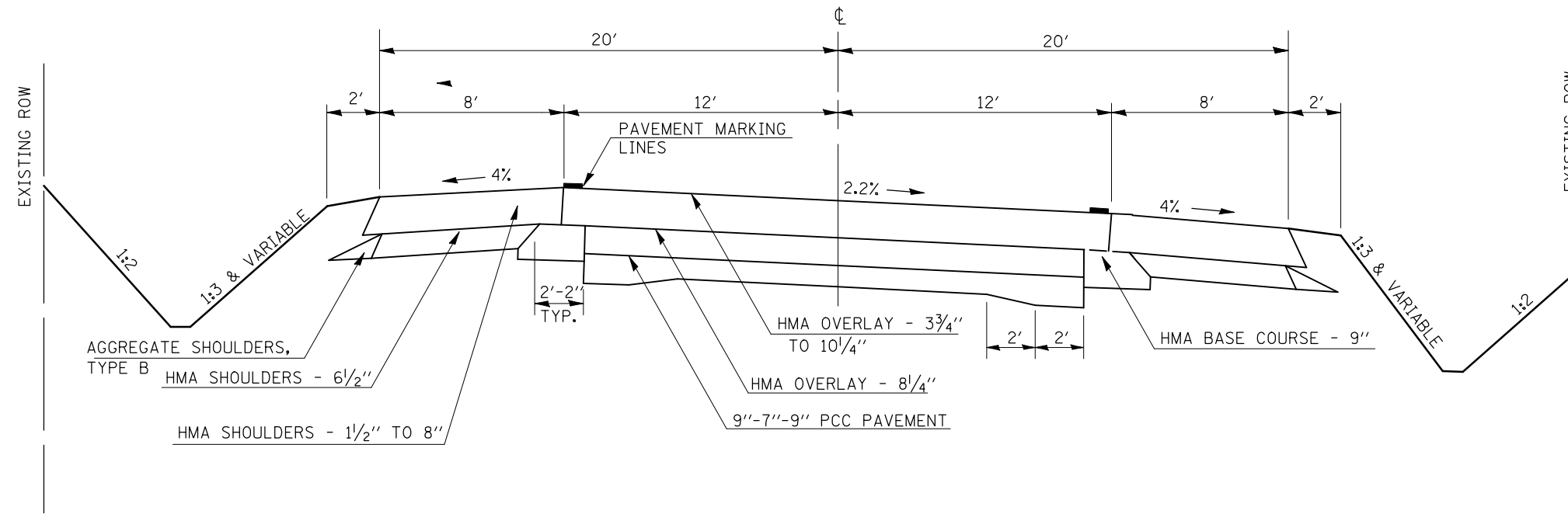


EXISTING TYPICAL CROSS SECTION 8

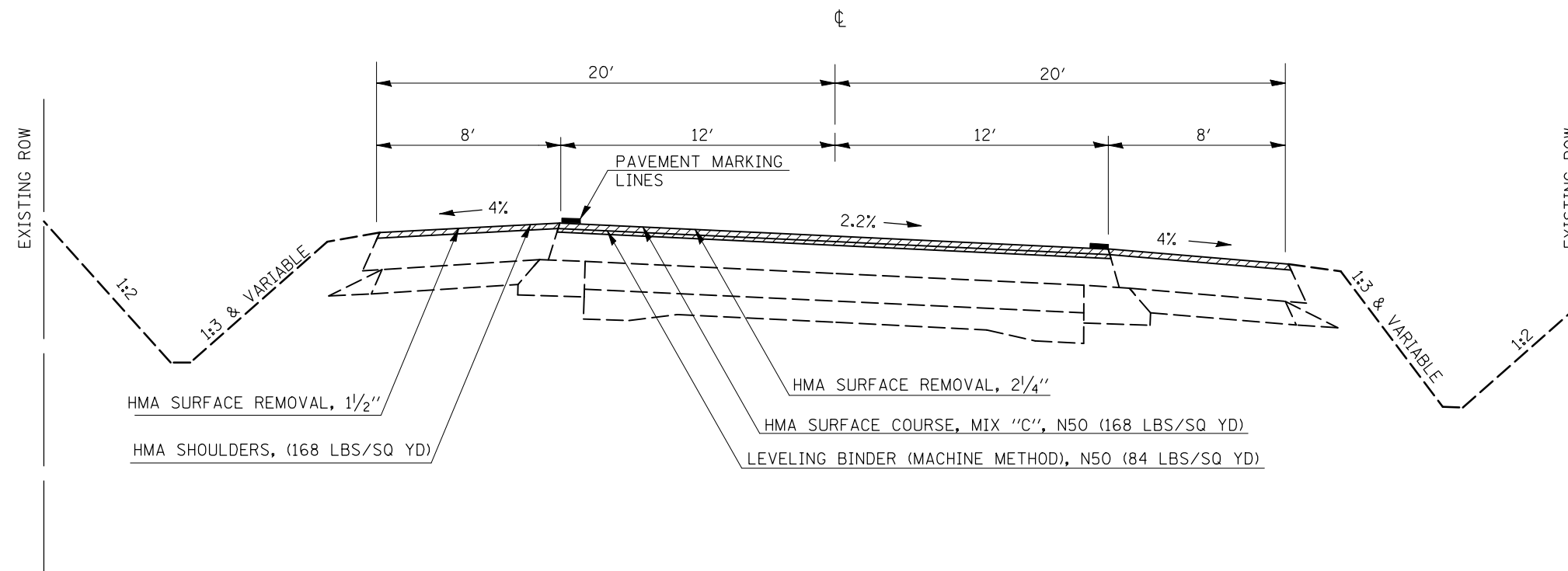
⑦ STA. 187 + 42.50 - STA. 188 + 78.50 ⑨



HMA CURB ADDED 178+56 TO 180+67 RT AMD
177+83 TP 183+67 LT.

PROPOSED TYPICAL CROSS SECTION 8

⑦ STA. 187 + 42.50 - STA. 188 + 78.50 ⑨



• (48-X1)RS&(48-X2,RX,RX-1)RS-1

FILE NAME =	USER NAME = bowerm1	DESIGNED - MLB	REVISED -
ct:\pw\work\p\dot\bowerm1\d0145216\d570124-sh1-typical.dgn		DRAWN - MLB	REVISED -
	PLOT SCALE = 40.0000' / IN.	CHECKED -	REVISED -
	PLOT DATE = 1/27/2010	DATE - 1/06/10	REVISED -

**STATE OF ILLINOIS
DEPARTMENT OF TRANSPORTATION**

TYPICAL CROSS SECTIONS

SCALE: SHEET NO. OF SHEETS STA. TO STA.

F.A. RTE.	SECTION	COUNTY	TOTAL SHEETS	SHEET NO.
	*	VERMILION	86	14
			CONTRACT NO. 70124	
ILLINOIS FED. AID PROJECT				