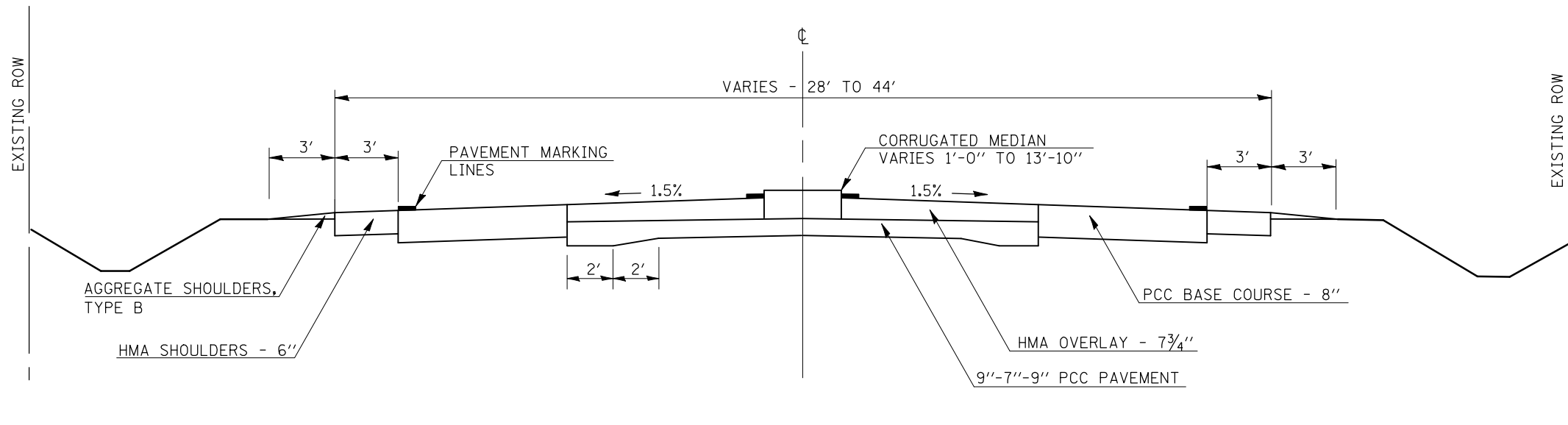


EXISTING TYPICAL CROSS SECTION 15

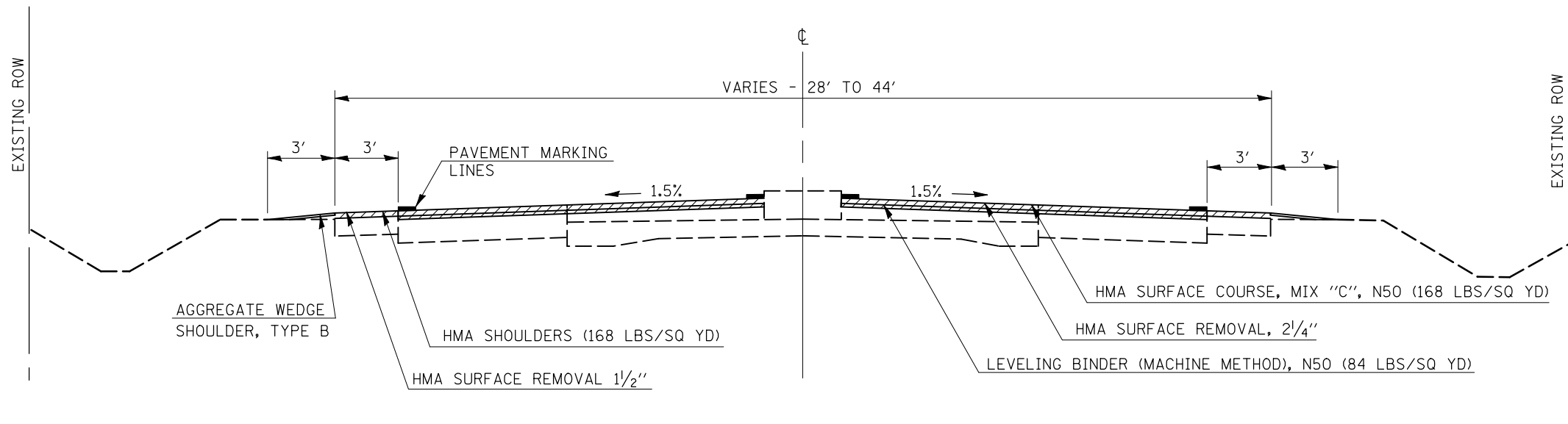
13 STA. 377+29.00 TO STA. 394+48.00 13



NOTE: SHOULDERS ARE A BAM MIX AND WILL NEED TO BE MILLED SEPARATELY FROM MAINLINE PAVEMENT SO THAT RAP CAN BE STOCKPILED SEPARATELY.

PROPOSED TYPICAL CROSS SECTION 15

13 STA. 377+29.00 TO STA. 394+48.00 13



• (48-X1)RS&(48-X2,RX,RX-1)RS-1

FILE NAME =	USER NAME = bowerml	DESIGNED - MLB	REVISED -
ct:\pw\work\p\dot\bowerml\d0145216\d570124-shit-typical.dgn		DRAWN - MLB	REVISED -
PLOT SCALE = 40.0000' / IN.		CHECKED -	REVISED -
PLOT DATE = 1/27/2010		DATE - 1/06/10	REVISED -

**STATE OF ILLINOIS
DEPARTMENT OF TRANSPORTATION**

TYPICAL CROSS SECTIONS

SCALE: SHEET NO. OF SHEETS STA. TO STA.

F.A. RTE.	SECTION	COUNTY	TOTAL SHEETS	SHEET NO.
	*	VERMILION	86	21
			CONTRACT NO. 70124	
ILLINOIS FED. AID PROJECT				