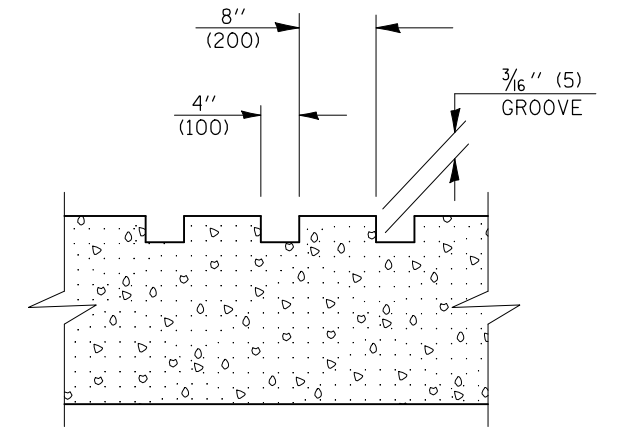
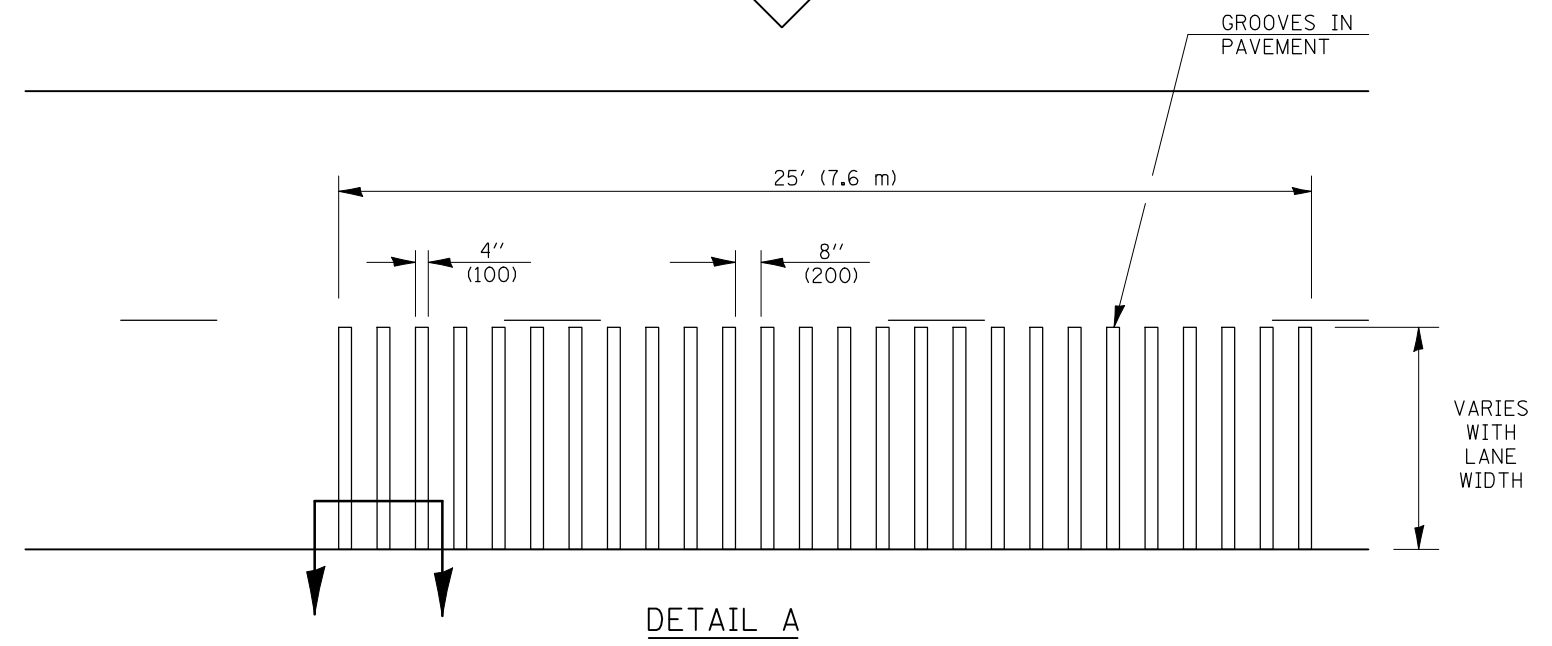


GENERAL NOTES

1. ALL GROOVES SHALL BE CONSTRUCTED USING A 4" (100 mm) MILLING HEAD OR SERIES OF 4" (100 mm) MILLING HEADS CAPABLE OF CUTTING TO THE SPECIFIED DEPTH OR ANY VARIABLE DEPTH.
2. THIS WORK WILL BE MEASURED FOR PAYMENT PER EACH 25' (7.6 m) INDIVIDUAL RUMBLE STRIP APPLIED AND PAID FOR AT THE CONTRACT UNIT PRICE EACH FOR RUMBLE STRIP, WHICH PRICE SHALL INCLUDE ALL EQUIPMENT, MATERIAL, LABOR AND OTHER ITEMS REQUIRED TO INSTALL EACH INDIVIDUAL RUMBLE STRIP.



SECTION A-A

Note: All dimensions are in INCHES (millimeters) unless otherwise shown.
 *(48-X1)RS&(48-X2,RX,RX-1)RS-1

DISTRICT 5 DETAIL NO. Z0055300

FILE NAME =	USER NAME = bowerml	DESIGNED -	REVISED - 11/06
ct:\pw\work\p\dot\bowerml\d0145216\70124	details.dgn	DRAWN -	REVISED -
	PLOT SCALE = 40.0000' / IN.	CHECKED -	REVISED -
	PLOT DATE = 1/26/2010	DATE -	REVISED -

**STATE OF ILLINOIS
DEPARTMENT OF TRANSPORTATION**

RUMBLE STRIP (ADVANCE OF INTERSECTIONS)			
SCALE:	SHEET NO.	OF SHEETS	STA. TO STA.

F.A. RTE.	SECTION	COUNTY	TOTAL SHEETS	SHEET NO.
332	*	VERMILION	86	67
FED. ROAD DIST. NO.		ILLINOIS FED. AID PROJECT		
		CONTRACT NO. 70124		