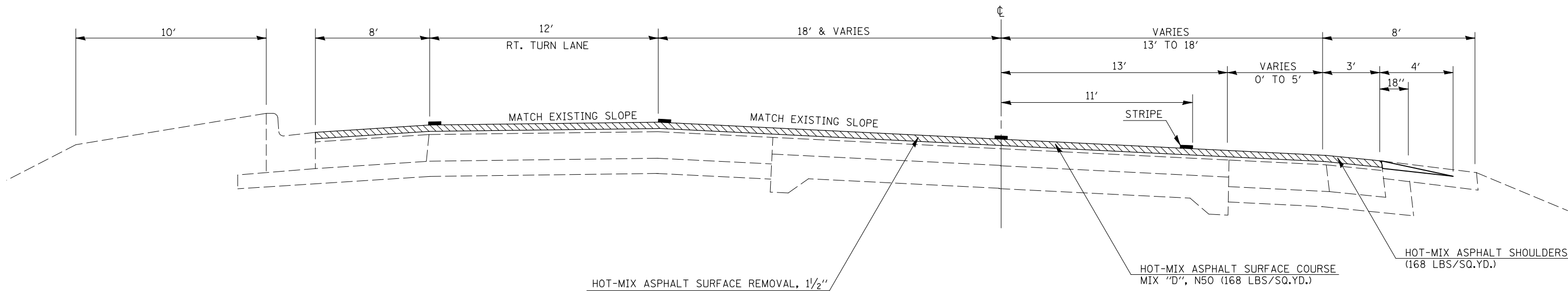


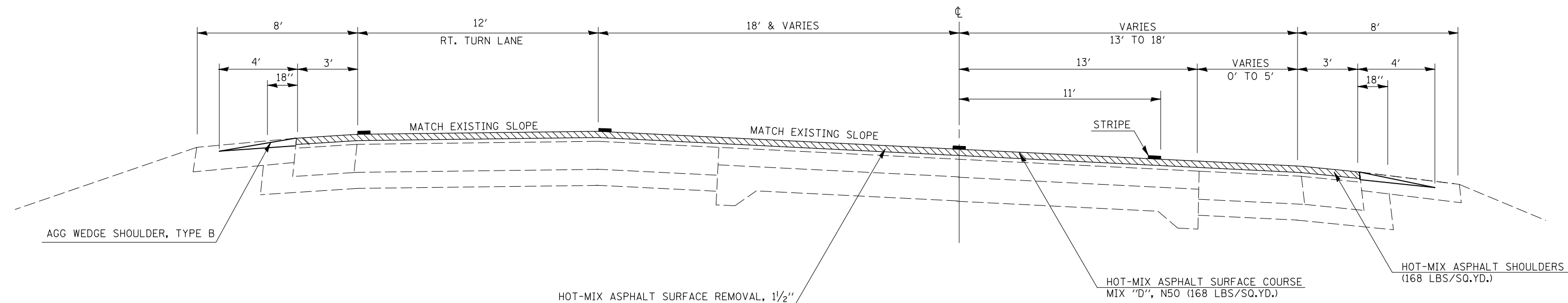
PROPOSED TYPICAL CROSS SECTION 9

U.S. 150
STATION 311+21.83 TO STATION 312+47.00



PROPOSED TYPICAL CROSS SECTION 10

U.S. 150
STATION 312+47.00 TO STATION 314+77.00



| | | | |
|--|-----------------------------|------------|-----------|
| FILE NAME = | USER NAME = bowerml | DESIGNED - | REVISED - |
| ct:\pwwork\pwidot\BOWERML\d0115116\d570539-sh1-typ10a1.dgn | | DRAWN - | REVISED - |
| | PLOT SCALE = 40.0000' / IN. | CHECKED - | REVISED - |
| | PLOT DATE = 1/29/2010 | DATE - | REVISED - |

**STATE OF ILLINOIS
DEPARTMENT OF TRANSPORTATION**

PROPOSED TYPICAL SECTIONS

SCALE: SHEET NO. OF SHEETS STA. TO STA.

| F.A.U. RTE. | SECTION | COUNTY | TOTAL SHEETS | SHEET NO. |
|---------------------------|---------|--------|--------------|-----------|
| 6406 | IRS-3 | MCLEAN | 33 | 15 |
| CONTRACT NO. 70539 | | | | |
| ILLINOIS FED. AID PROJECT | | | | |