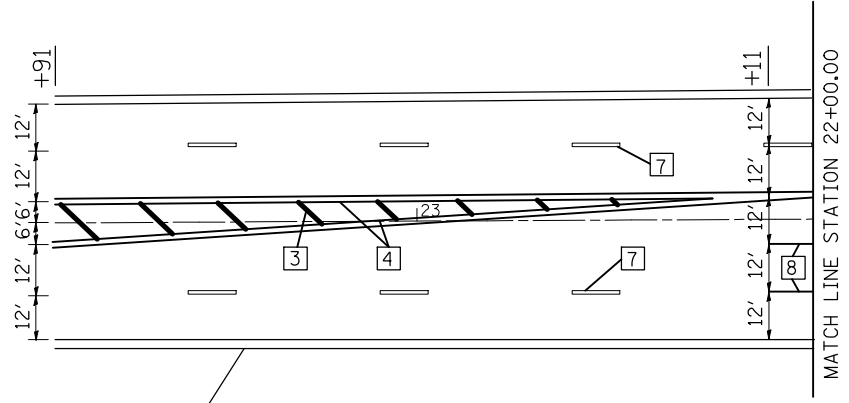
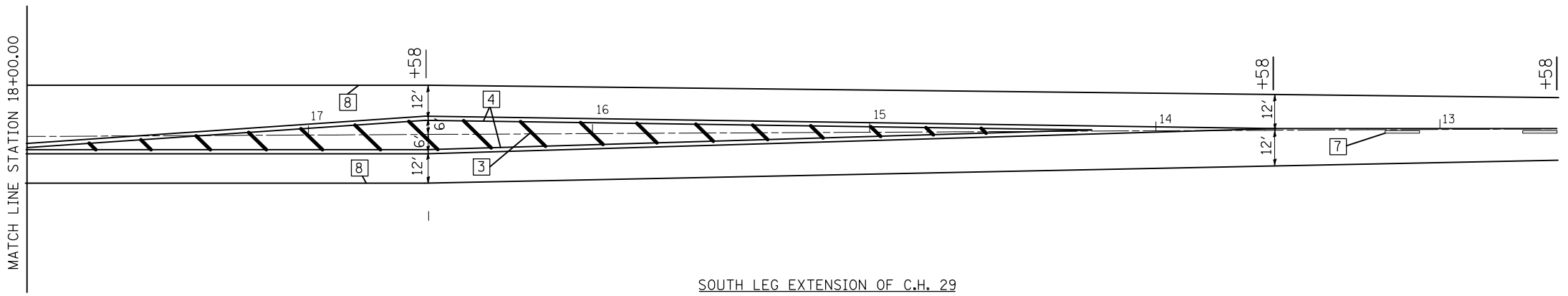


TYPICAL PAVEMENT MARKING LEGEND

- 1 4" (100) SKIP-DASH (YELLOW)
- 2 4" (100) SOLID (YELLOW)
- 3 12" (300) DIAGONAL (YELLOW)
- 4 4" (100) DOUBLE YELLOW (NARROW)
- 5 RESERVED
- 6 RESERVED
- 7 4" (100) SKIP-DASH (WHITE)
- 8 4" (100) SOLID (WHITE)
- 9 12" (300) DIAGONAL (WHITE)
- 10 6" (150) SOLID (WHITE)
- 11 24" (600) STOP BAR (WHITE)
- 12 8" (200) SOLID (WHITE)
- 13 4" (100) LANE LINE EXTENSIONS (WHITE)
- 14 4" (100) PARKING WHITE



NORTH LEG EXTENSION OF C.H. 29/TOWANDA-BARNES ROAD



SOUTH LEG EXTENSION OF C.H. 29

NOT TO SCALE

FILE NAME =	USER NAME = bowerm1	DESIGNED -	REVISED -	STATE OF ILLINOIS DEPARTMENT OF TRANSPORTATION	PAVEMENT MARKING DETAILS				F.A.U. RTE.	SECTION	COUNTY	TOTAL SHEETS	SHEET NO.
ct:\pw\work\p\dot\bowerm1\d0115116\d570589-shd-pmk.dgn		DRAWN -	REVISED -		6406	1RS-3	MCLEAN	33	27				
PLOT SCALE = 40.0000' / IN.		CHECKED -	REVISED -		CONTRACT NO. 70539								
PLOT DATE = 1/29/2010		DATE -	REVISED -		SCALE:	SHEET NO.	OF SHEETS	STA.	TO STA.	ILLINOIS FED. AID PROJECT			