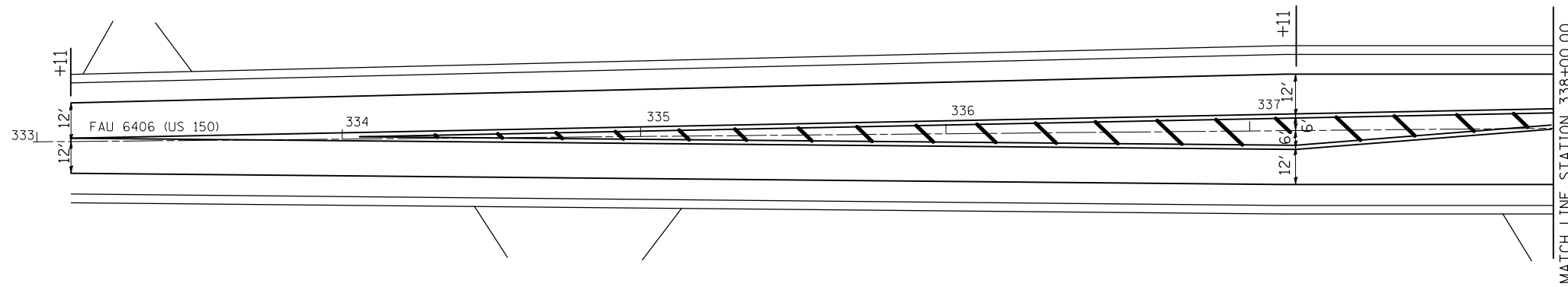
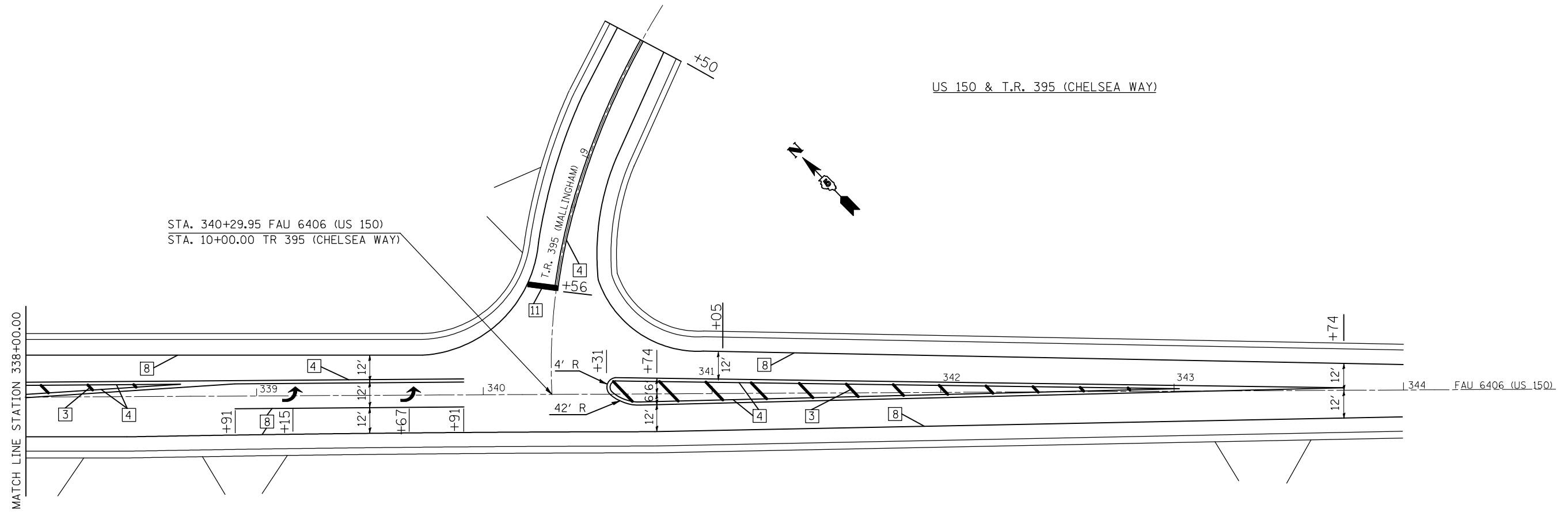


US 150 & T.R. 395 (CHELSEA WAY)

STA. 340+29.95 FAU 6406 (US 150)  
 STA. 10+00.00 TR 395 (CHELSEA WAY)



TYPICAL PAVEMENT MARKING LEGEND

- 1 4" (100) SKIP-DASH (YELLOW)
- 2 4" (100) SOLID (YELLOW)
- 3 12" (300) DIAGONAL (YELLOW)
- 4 4" (100) DOUBLE YELLOW (NARROW)
- 5 RESERVED
- 6 RESERVED
- 7 4" (100) SKIP-DASH (WHITE)
- 8 4" (100) SOLID (WHITE)
- 9 12" (300) DIAGONAL (WHITE)
- 10 6" (150) SOLID (WHITE)
- 11 24" (600) STOP BAR (WHITE)
- 12 8" (200) SOLID (WHITE)
- 13 4" (100) LANE LINE EXTENSIONS (WHITE)
- 14 4" (100) PARKING WHITE

NOT TO SCALE

FILE NAME =	USER NAME = bowerm1	DESIGNED -	REVISED -
ct:\pw\work\p1dot\bowerm1\d0115116\d570589-sh-t-pmk.dgn		DRAWN -	REVISED -
PLOT SCALE = 40.0000 ' / IN.		CHECKED -	REVISED -
PLOT DATE = 1/29/2010		DATE -	REVISED -

STATE OF ILLINOIS  
 DEPARTMENT OF TRANSPORTATION

PAVEMENT MARKING DETAILS

SCALE: SHEET NO. OF SHEETS STA. TO STA.

F.A.U. RTE.	SECTION	COUNTY	TOTAL SHEETS	SHEET NO.
6406	1RS-3	MCLEAN	33	28
CONTRACT NO. 70539				
ILLINOIS FED. AID PROJECT				