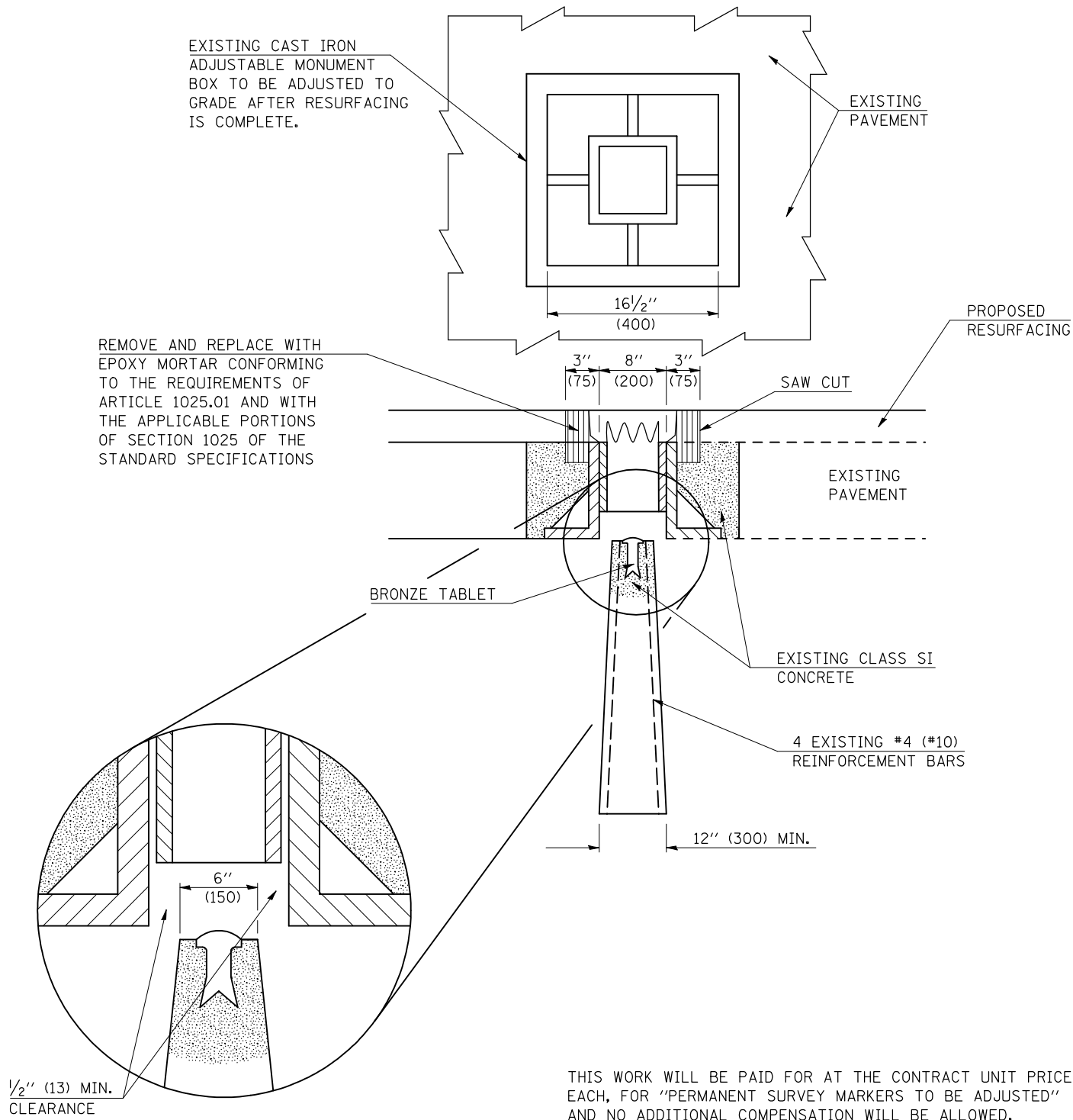


F.A.P. RTE.	SECTION	COUNTY	TOTAL SHEETS	SHEET NO.
840	122 R5-4	VERMILION	53	36

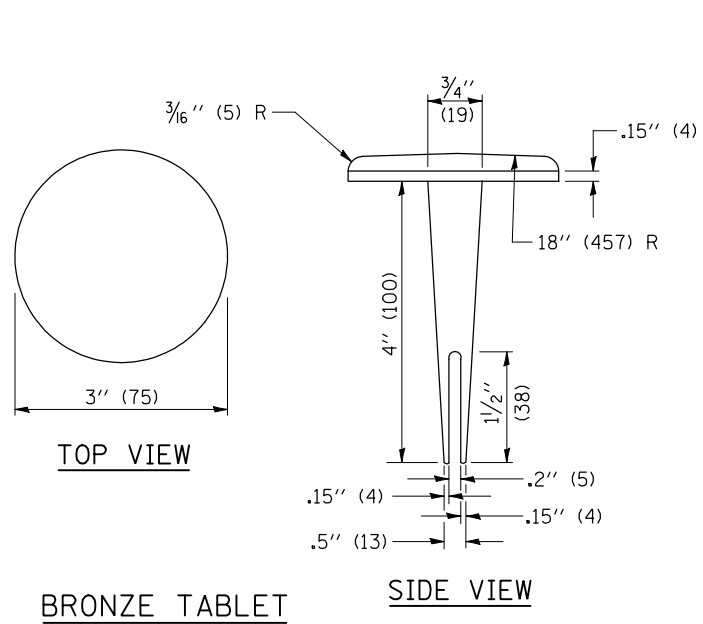
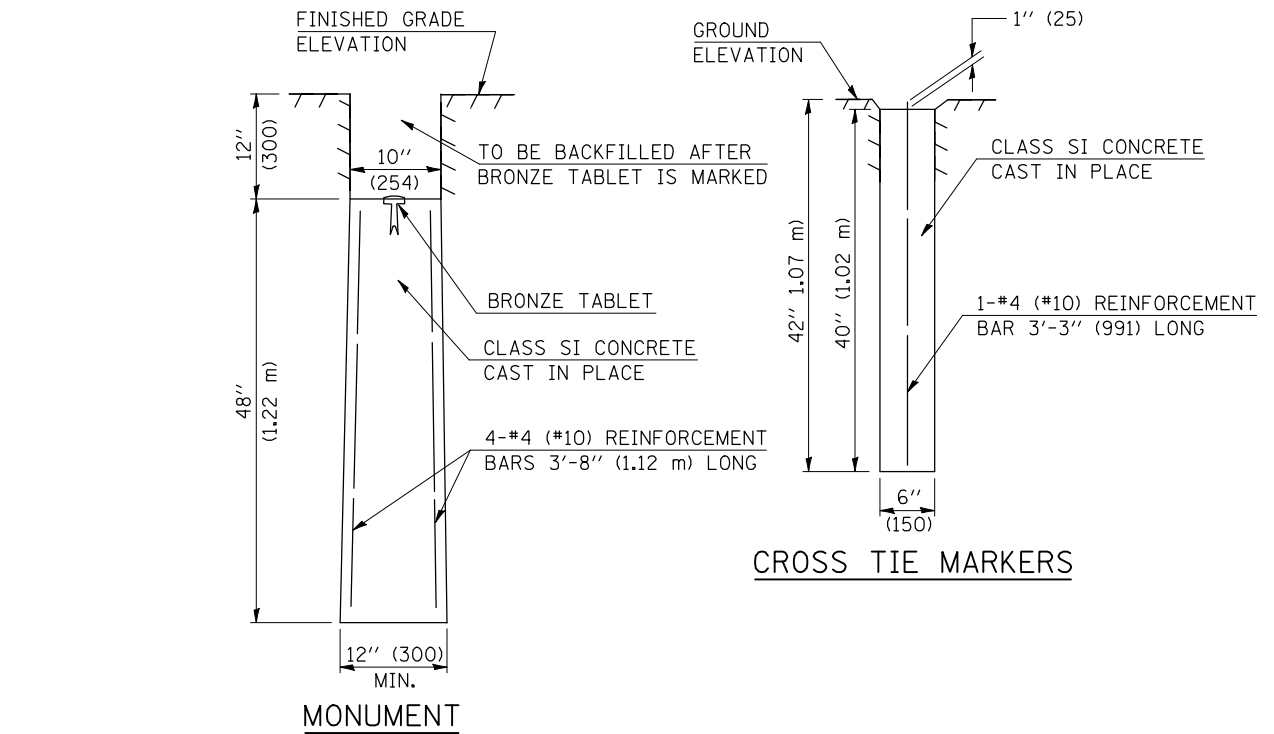
66700110 – PERMANENT SURVEY MARKERS TO BE ADJUSTED

TO BE INSTALLED FOR PRESERVING EXISTING CAST IRON PERMANENT SURVEY MARKERS, TYPE III



66700505 – PERMANENT SURVEY MARKERS, TYPE IV

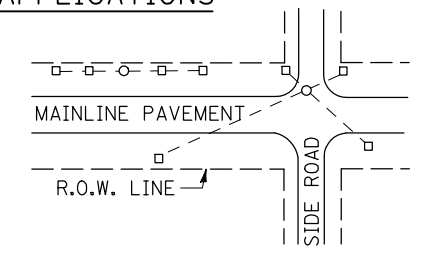
TO BE INSTALLED IN PAVEMENT OR TURF AREAS WITHIN THE RIGHT-OF-WAY FOR PRESERVING LAND SURVEY MONUMENTS (SECTION OR SUBSECTION CORNERS) UNDER DIRECTION OF THE CHIEF OF SURVEYS



TYPICAL APPLICATIONS

SYMBOLS

- CROSS TIE MARKER
- MONUMENT



NOTE: THE CONTRACT UNIT PRICE FOR PERMANENT SURVEY MARKERS, TYPE IV, WILL BE PAYMENT IN FULL FOR FURNISHING, INSTALLING, AND PERMANENTLY MARKING ONE MONUMENT AND FURNISHING AND INSTALLING FOUR CROSS TIE MARKERS AT THE LOCATIONS SPECIFIED. THE DESIGN CHIEF OF SURVEYS MUST BE CONTACTED FOR SUPERVISION OF THE PLACEMENT AND CONSTRUCTION OF THESE ITEMS.

Note: All dimensions are in INCHES (millimeters) unless otherwise shown.

DATE	REVISIONS	NAME	ILLINOIS DEPARTMENT OF TRANSPORTATION
11/06	REPLACED DETAILS D-1.02 & d-1.06		PERMANENT SURVEY MARKERS (TYPE IV & ADJUSTED)
			DISTRICT 5 DETAIL NO. 66700AAA

PLOT DATE = 1/25/2010
 FILE NAME = c:\p\work\66700110\BUCKLES\11\40124902\plan\shs.dgn
 PLOT SCALE = 42,352% / IN.
 USER NAME = bucklesj