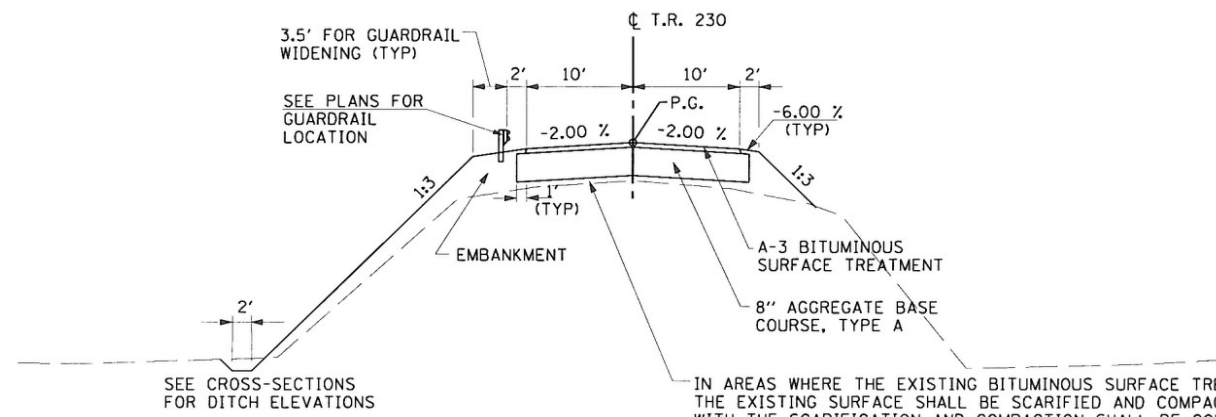


**TR 230 EXISTING TYPICAL SECTION**

STA 40+00.00 TO STA 48+88.00  
STA 51+12.00 TO STA 60+00.00



**TR 230 PROPOSED TYPICAL SECTION**

STA 40+00.00 TO STA 48+59.00  
STA 51+41.00 TO STA 60+00.00

HURST-ROSCHKE ENGINEERS, INC.  
HILLSBORO, ILLINOIS 62049  
(217)532-3959 FAX (217)532-3212

**HR**  
HURST-ROSCHKE  
ENGINEERS, INC.

FILE NAME =	USER NAME = HURST-ROSCHKE	DESIGNED JJC	REVISED -
\\192-4199-wa*3-tr-230-over-1-74\dgn\057752-sht-typical101.dgn	752-sht-typical101.dgn	DRAWN TWC	REVISED -
	PLT SCALE = 20.0001' / IN.	CHECKED MAR	REVISED -
	PLT DATE = 1/28/2010	DATE 01-27-10	REVISED -

STATE OF ILLINOIS  
DEPARTMENT OF TRANSPORTATION

TYPICAL SECTIONS

SCALE: NONE SHEET NO. 1 OF 2 SHEETS STA. TO STA.

F.A.I. RTE.	SECTION	COUNTY	TOTAL SHEETS	SHEET NO.
74	(10-6)HBR-5	CHAMPAIGN	63	6
CONTRACT NO. 70750				
ILLINOIS FED. AID PROJECT				