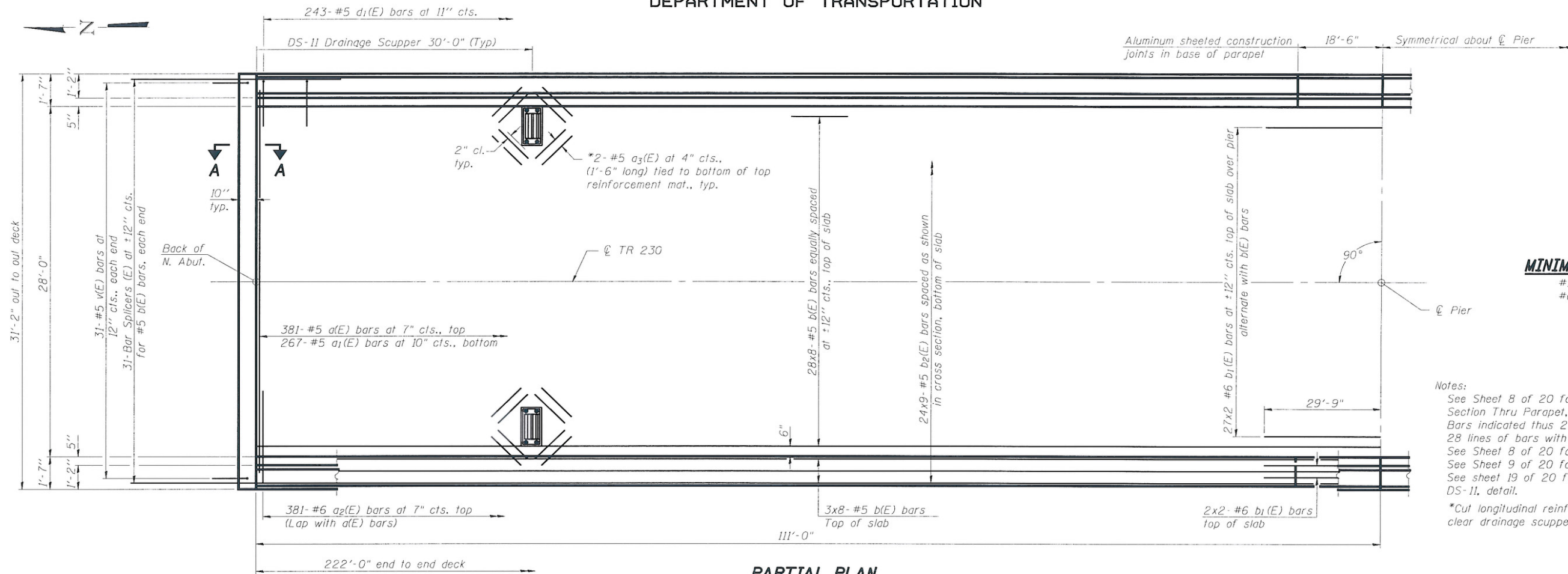


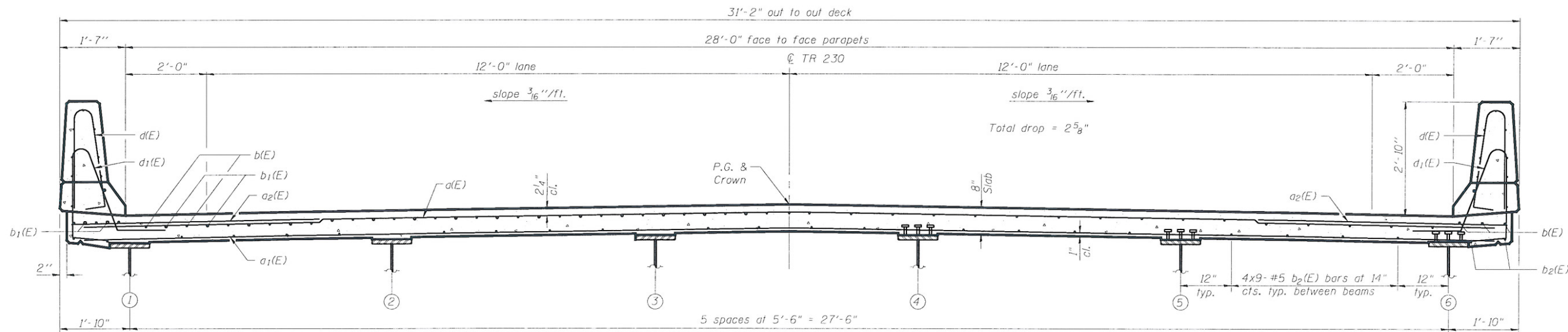
STATE OF ILLINOIS
DEPARTMENT OF TRANSPORTATION



MINIMUM BAR LAP
#5 bar = 2'-6"
#6 bar = 3'-0"

Notes:
See Sheet 8 of 20 for superstructure details, Section Thru Parapet, and Bill of Material.
Bars indicated thus 28 x 8-#5 etc. indicates 28 lines of bars with 8 lengths per line.
See Sheet 8 of 20 for parapet reinforcement.
See Sheet 9 of 20 for Section A-A.
See sheet 19 of 20 for Drainage Scupper, DS-11, detail.
*Cut longitudinal reinforcement to clear drainage scuppers.

PARTIAL PLAN



CROSS SECTION
(Looking South)

SUPERSTRUCTURE PLAN
STRUCTURE NO. 010-0288

DESIGNED	CJC / MEB
CHECKED	JSP
DRAWN	UJ
CHECKED	MEB



SHEET NO. 7 20 SHEETS	F.A.I. RTE. 74	SECTION (10-6)HBR-5	COUNTY CHAMPAIGN	TOTAL SHEETS 63	SHEET NO. 26
	SN 010-0288		CONTRACT NO. 70750		
FED. ROAD DIST. NO. 5 ILLINOIS FED. AID PROJECT					