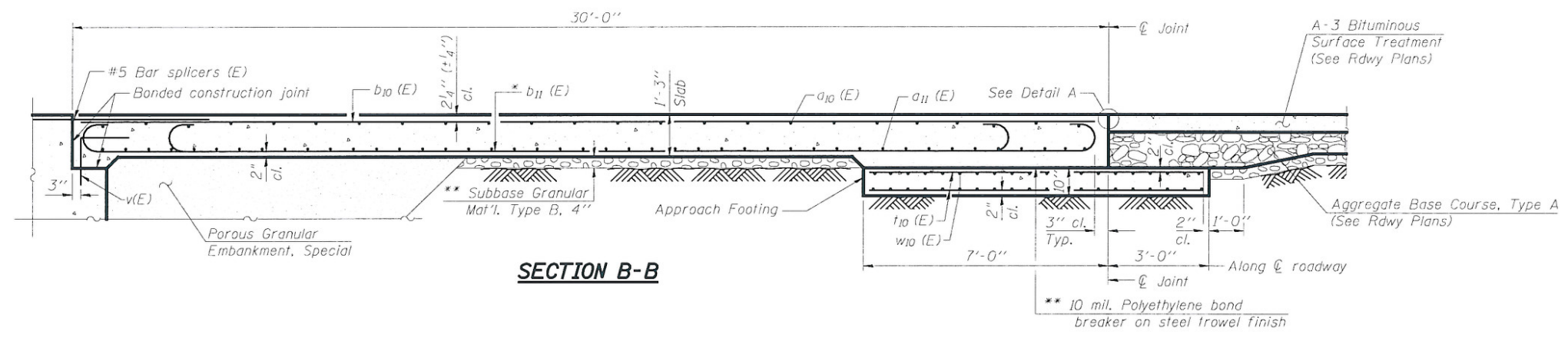
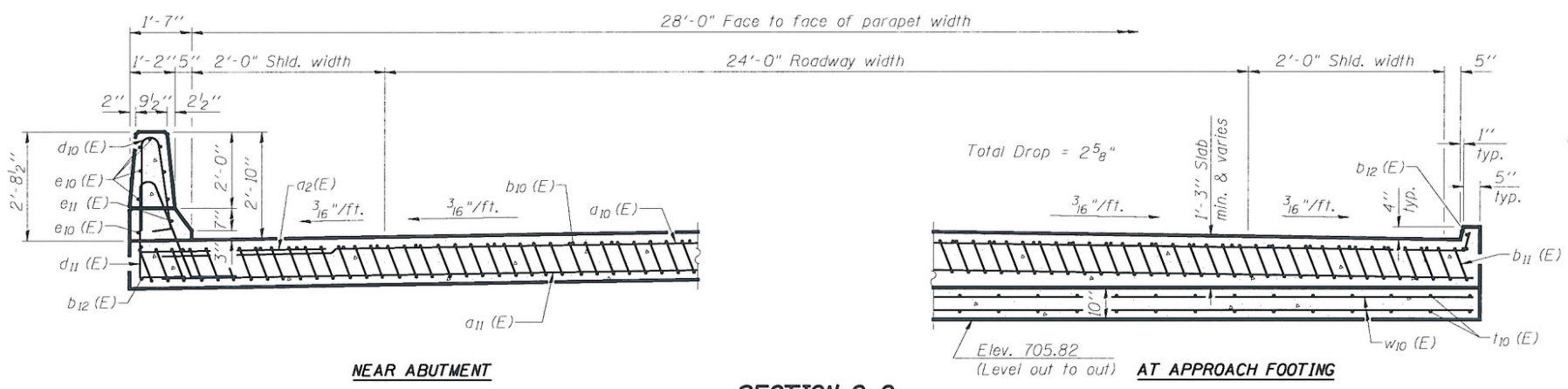


Notes:  
 Approach slab and parapet concrete shall be paid for as Concrete Superstructure.  
 Approach footing concrete shall be paid for as Concrete Structures.  
 For v(E) bar details, see sheet 8 of 20.  
 The approach footing maximum applied service bearing pressure ( $Q_{max}$ ) = 2.0 ksf.  
 For bar splicer details, see sheet 18 of 20.  
 Cost of excavation for approach footing included with Concrete Structures.  
 For Porous Granular Embankment, Special and drainage treatment details, see sheet 2 of 20.  
 For additional parapet details, see sheet 10 of 20.



**SECTION B-B**

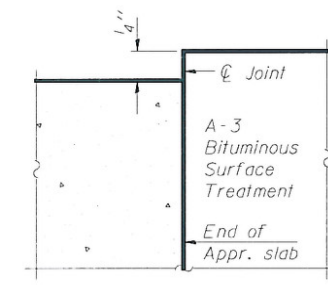


**NEAR ABUTMENT**

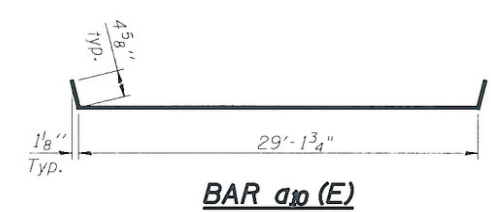
**SECTION C-C**

(See Plan for dimensions not shown)

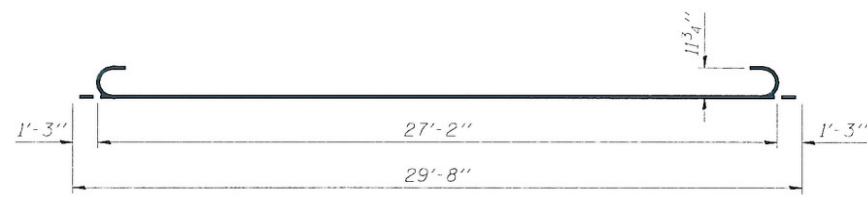
**AT APPROACH FOOTING**



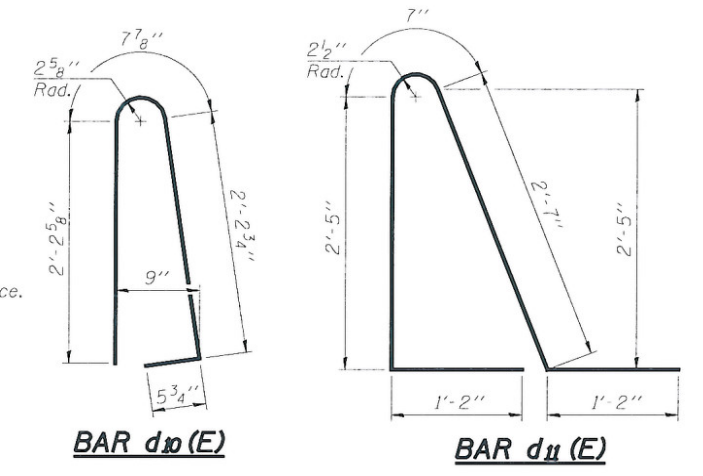
**FLEXIBLE PAVEMENT  
DETAIL A**



**BAR a10(E)**



**BAR b11(E)**



**BAR d10(E)**

**BAR d11(E)**

**APPROACH SLABS  
BILL OF MATERIAL**

Bar	No.	Size	Length	Shape
a10(E)	50	#4	29'-11"	U
a11(E)	92	#5	29'-6"	U
a2(E)	48	#6	6'-6"	U
b10(E)	62	#5	29'-8"	U
b11(E)	144	#9	29'-8"	U
b12(E)	8	#4	14'-8"	U
d10(E)	68	#5	5'-7"	A
d11(E)	68	#5	7'-11"	A
e10(E)	32	#4	14'-8"	U
e11(E)	4	#8	14'-8"	U
t10(E)	124	#4	9'-8"	U
w10(E)	80	#5	29'-6"	U
Concrete Superstructure		Cu. Yd.	91.4	
Concrete Structures		Cu. Yd.	18.4	
Reinforcement Bars, Epoxy Coated		Pound	25,515	

**BRIDGE APPROACH SLAB DETAILS  
STRUCTURE NO. 010-0288**

DESIGNED	CJC
CHECKED	MEB
DRAWN	UJ
CHECKED	MEB



SHEET NO. 11 20 SHEETS	F.A.I. RTE.	SECTION	COUNTY	TOTAL SHEETS	SHEET NO.
	74	(10-6)HR-5	CHAMPAIGN	63	30
SN 010-0288			CONTRACT NO. 70750		
FED. ROAD DIST. NO. 5 ILLINOIS FED. AID PROJECT					