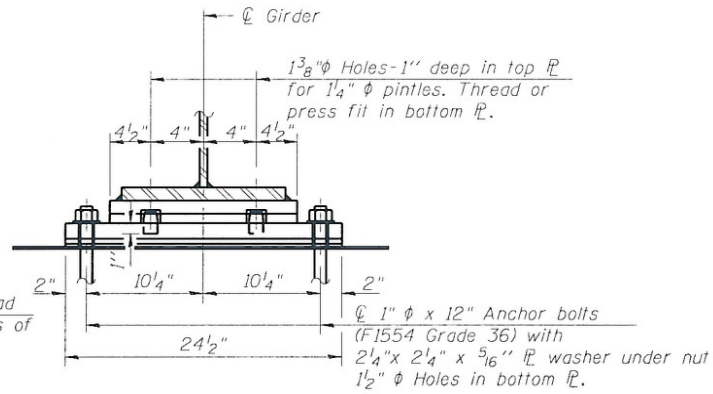
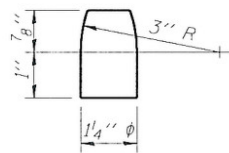


**ELEVATION AT PIER**

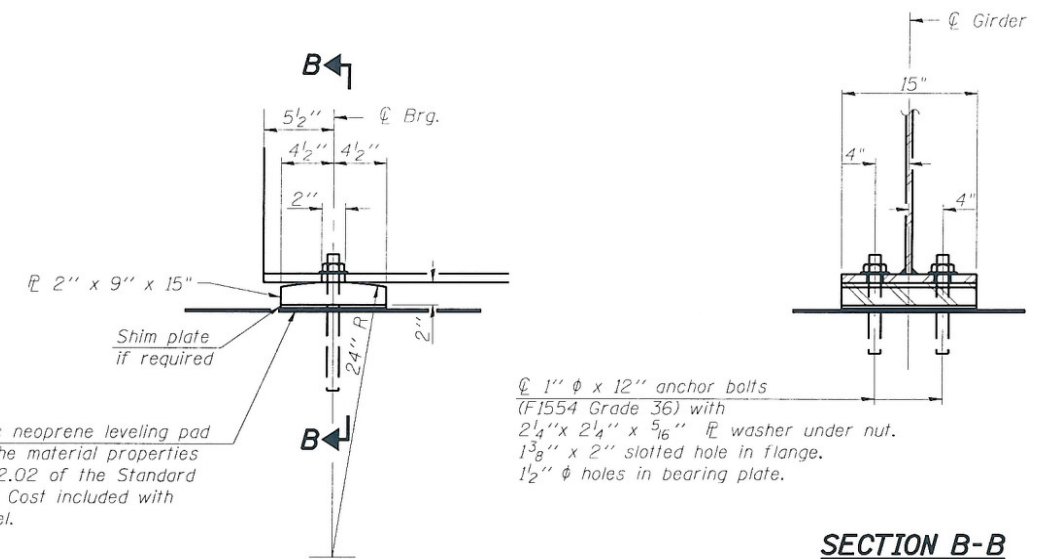


**SECTION A-A**

**FIXED BEARING AT PIER**



**PINTLE**



**ELEVATION AT ABUTMENT**

**SECTION B-B**

**FIXED BEARING AT ABUTMENT**

Notes:  
 Anchor bolts shall be ASTM F1554 all-thread (or an Engineer-approved alternate material) of the grade(s) and diameter(s) specified. ASTM A307 Grade C anchor bolts may be used in lieu of ASTM F1554 Grade 36 (Fy=36ksi). The corresponding specified grade of AASHTO M314 anchor bolts may be used in lieu of ASTM F1554.

Anchor bolts at fixed bearings may be either cast in place or installed in holes drilled after the supported member is in place.

Drilled and set anchor bolts shall be installed according to Article 521.06 of the Standard Specifications.

All bearing plates shall be AASHTO M270, Grade 50.

Two 1/8 in. adjusting shims shall be provided for each bearing in addition to all other plates or shims and placed as shown on bearing details.

The anchor bolt sizes and grades shown constitute a calculated seismic structural fuse. Substitution of higher diameter and/or grade anchor bolts will not be allowed.

**TOTAL BILL OF MATERIAL**

ITEM	UNIT	SUPER	SUB	TOTAL
Anchor Bolts, 1"	Each	--	36	36

**BEARING DETAILS  
 STRUCTURE NO. 010-0288**

DESIGNED	MEB
CHECKED	JSP
DRAWN	UJ
CHECKED	MEB



SHEET NO. 14 20 SHEETS	F.A.I. RTE. 74	SECTION (10-6)HBR-5	COUNTY CHAMPAIGN	TOTAL SHEETS 63	SHEET NO. 33
	SN 010-0288		CONTRACT NO. 70750		
FED. ROAD DIST. NO. 5 ILLINOIS FED. AID PROJECT					