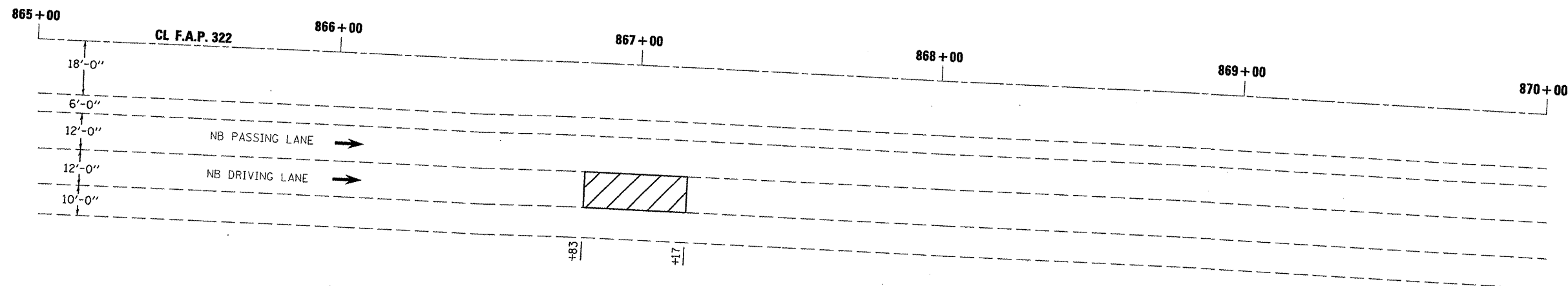
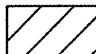
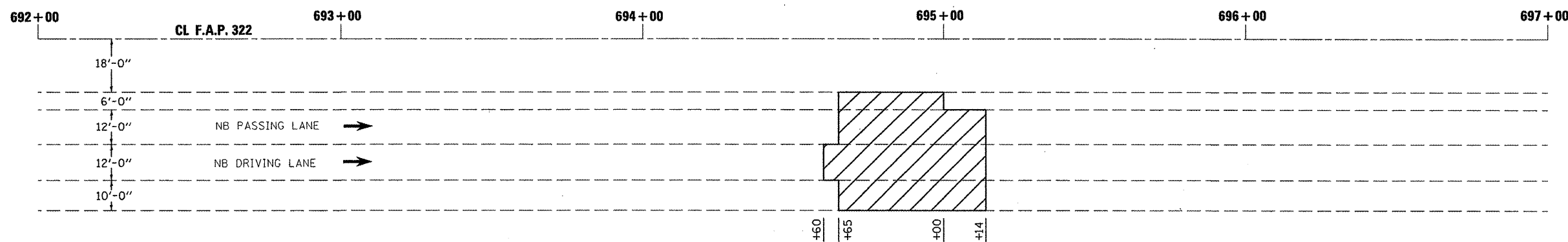


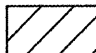
LOCATION #1



 PAVEMENT REPROFILING USING HIGH-DENSITY FOAM

LOCATION #2



 PAVEMENT REPROFILING USING HIGH-DENSITY FOAM

FILE NAME :	USER NAME :	DESIGNED :	REVISED :
ct:\pw\work\PW1001\HOGANBJ\d0180525\DS7822-shr-plan.dgn	hoganbj	---	-----
		DRAWN :	REVISED :
		BJH	-----
		CHECKED :	REVISED :
		---	-----
		DATE :	REVISED :
		01/07/2010	-----

STATE OF ILLINOIS
DEPARTMENT OF TRANSPORTATION

PLAN SHEET	
LOCATION #1 AND LOCATION #2	
SCALE: 1" = 20'	SHEET NO. 1 OF 3 SHEETS
STA. 867+00 AND STA. 694+87	

F.A.P. RTE.	SECTION	COUNTY	TOTAL SHEETS	SHEET NO.
*	53PT & 34T.	**	13	10
CONTRACT NO. 70822				
ILLINOIS FED. AID PROJECT				

* 322 & 729
** DEWITT & VERMILION