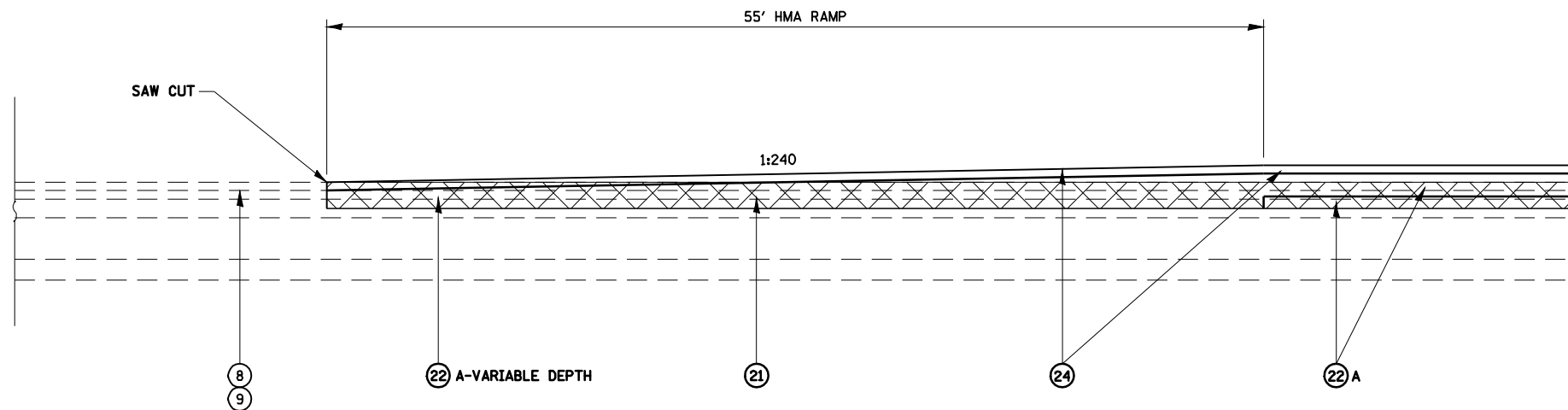


BUTT JOINT DETAIL I-72

WB STA. 404+68.55 TO STA. 404+88.55
 WB STA. 407+41.39 TO STA. 407+61.39
 WB STA. 537+80.00 TO STA. 538+00.00



BUTT JOINT DETAIL I-72

EB STA. 171+09.00 TO STA. 171+64.00
 EB STA. 404+83.61 TO STA. 405+38.61
 EB STA. 407+91.45 TO STA. 408+46.45
 EB STA. 537+45.00 TO STA. 538+00.00
 WB STA. 171+09.00 TO STA. 171+64.00

EXISTING LEGEND

- ① EXIST. C.R.P.C.C. PAVEMENT 8"
- ② EXIST. STABILIZED SUB-BASE 4"
- ③ EXIST. STABILIZED SHOULDER 8"
- ④ EXIST. AGGREGATE SHOULDER, TY. A
- ⑤ EXIST. LONGITUDINAL JOINT
- ⑥ EXIST. KEYWAY
- ⑦ EXIST. PIPE UNDERDRAIN
- ⑧ EXIST. BITUMINOUS CONC. BINDER CSE., MIX. B, TY. 1, 1 3/4"
- ⑨ EXIST. BITUMINOUS CONC. SURF. CSE., MIX. D, CL. 1, TY. 1, 1 1/2"
- ⑩ EXIST. BITUMINOUS CONC. BINDER CSE., MIX. B, TY. 1, 3 1/2"
- ⑪ EXIST. BITUMINOUS SHOULDER (WITH RUMBLE STRIPS)
- ⑫ EXIST. AGGREGATE SHOULDER, TY. B
- ⑬ EXIST. S.R.P.C.C. PAVEMENT 8"
- ⑭ EXIST. COMB. CONC. CURB & GUTTER, TY. B-6.12
- ⑮ EXIST. MEDIAN SURFACE
- ⑯ EXIST. SUB-BASE GRANULAR MATERIAL, TY. C 4"
- ⑰ EXIST. BITUMINOUS MIXTURE COMPLETE 3"
- ⑱ EXIST. AGGREGATE BASE COURSE, TY. A 8"
- ⑳ EXIST. BITUMINOUS CONCRETE WIDENING 9"

PROPOSED LEGEND

- ⑳ PROP. HOT-MIX ASPHALT SURFACE REMOVAL, 3/4"
- ㉑ PROP. HOT-MIX ASPHALT SURFACE REMOVAL, 5"
- ㉒ PROP. POLYMERIZED HOT-MIX ASPHALT BINDER COURSE, IL-19.0, N90 2 1/4"
- ㉒A PROP. POLYMERIZED HOT-MIX ASPHALT BINDER COURSE, IL-19.0, N90 2 @ 2 1/4", 4 1/2"
- ㉓ PROP. AGGREGATE WEDGE SHOULDER, TYPE B
- ㉔ PROP. POLYMERIZED HOT-MIX ASPHALT SURFACE COURSE, MIX "D", N90 1 1/2"
- ㉕ PROP. HOT-MIX ASPHALT SHOULDERS, 2" / 2 3/4" (SEE SCHEDULE)
- ㉕A PROP. HOT-MIX ASPHALT SURFACE REMOVAL, 1 1/2"
- ㉕B PROP. HOT-MIX ASPHALT SURFACE REMOVAL, 1"
- ㉖ PROP. AGGREGATE SHOULDER, TY. B
- ㉗ PROP. RAISED REFLECTIVE PAVEMENT MARKER
- ㉘ PROP. SHOULDER RUMBLE STRIP
- ㉙ PROP. HOT-MIX ASPHALT SURFACE REMOVAL - BUTT JOINT

NOTE:
 CONSTRUCT SHOULDER RUMBLE STRIPS ALONG I-72 SHOULDERS. (SEE STD 642001-01)
 MEDIAN CROSS-OVERS RESURFACE WITH 2 3/4" HMA SURFACE COURSE, MIX "C", N50

FILE NAME =	USER NAME = laughlinr1	DESIGNED -	REVISED -
e:\pwwork\pwwid\LAUGHLINRL\0183140\10	OTRevised_7016TS01.SHT	DRAWN - AAD	REVISED -
	PLOT SCALE = NONE	CHECKED - JAC	REVISED -
	PLOT DATE = Mar-17-2010 08:16:16AM	DATE - 06/11/07	REVISED -

**STATE OF ILLINOIS
 DEPARTMENT OF TRANSPORTATION**

**PROPOSED TYPICAL SECTIONS
 F.A.I. ROUTE 72 (I-72) - BUTT JOINT DETAILS**

SCALE: SHEET NO. OF SHEETS STA. TO STA.

F.A.I. RTE.	SECTION	COUNTY	TOTAL SHEETS	SHEET NO.
72	(84-10-2)RS-3, (84-10-3)RS-4	SANGAMON	23A	23A
CONTRACT NO. 72910				
FED. ROAD DIST. NO. 2 ILLINOIS FED. AID PROJECT				