

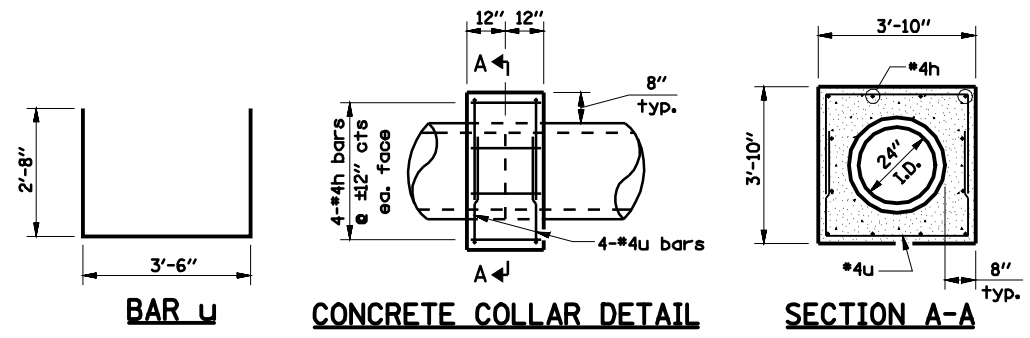
**GENERAL NOTES FOR CONCRETE COLLAR**

CONCRETE COLLARS SHALL BE CONSTRUCTED OF CLASS SI CONCRETE IN ACCORDANCE WITH SECTION 503 OF THE STANDARD SPECIFICATIONS.

REINFORCEMENT BARS SHALL CONFORM TO SECTION 508 OF THE STANDARD SPECIFICATIONS.

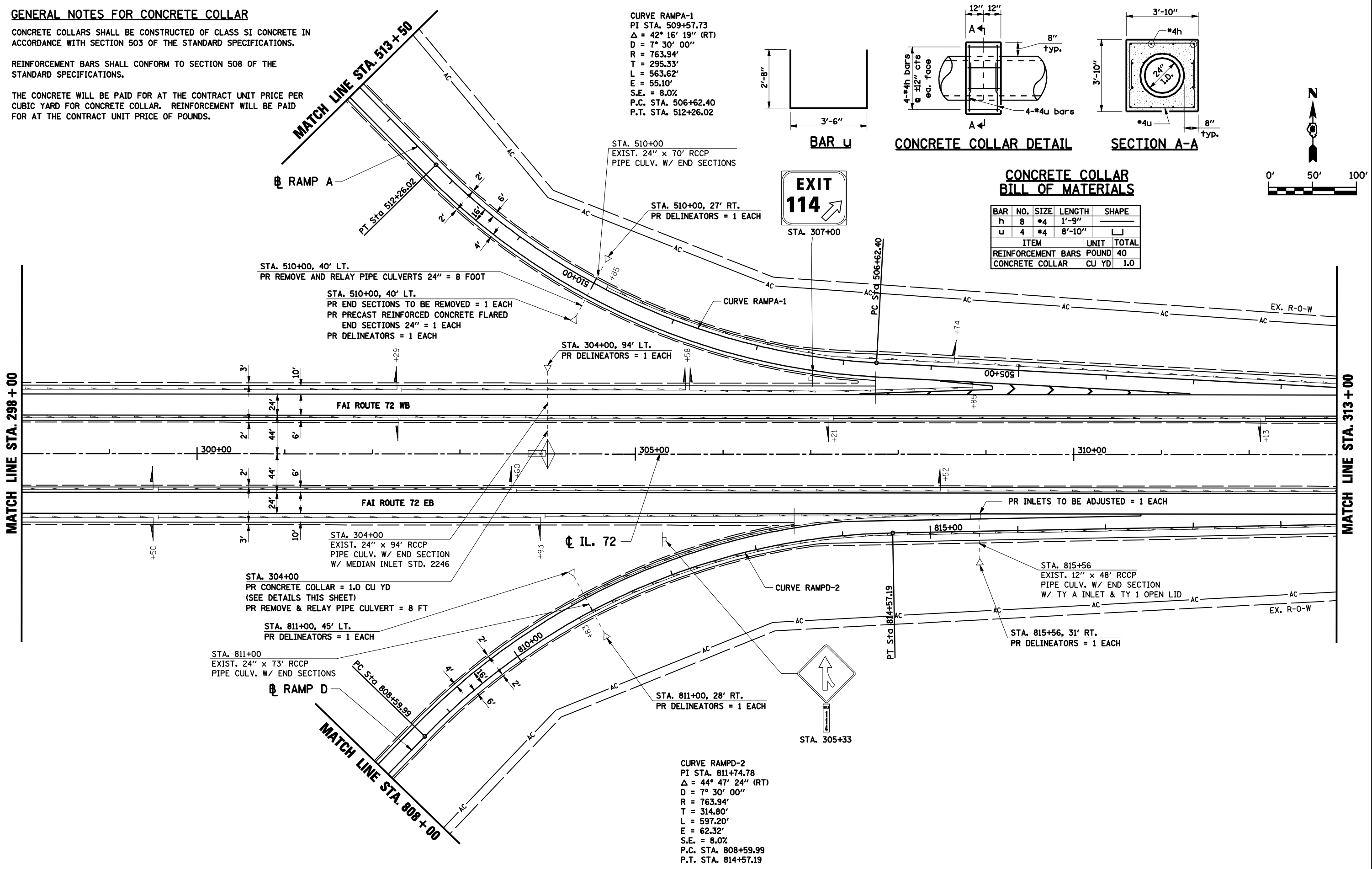
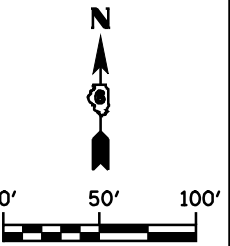
THE CONCRETE WILL BE PAID FOR AT THE CONTRACT UNIT PRICE PER CUBIC YARD FOR CONCRETE COLLAR. REINFORCEMENT WILL BE PAID FOR AT THE CONTRACT UNIT PRICE OF POUNDS.

**CURVE RAMPA-1**  
 PI STA. 509+57.73  
 $\Delta = 42^\circ 16' 19''$  (RT)  
 $D = 7^\circ 30' 00''$   
 $R = 763.94'$   
 $T = 295.33'$   
 $L = 563.62'$   
 $E = 55.10'$   
 $S.E. = 8.0\%$   
 P.C. STA. 506+62.40  
 P.T. STA. 512+26.02



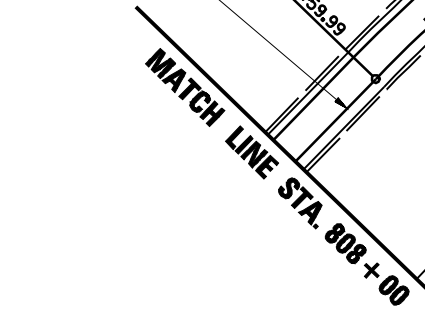
**CONCRETE COLLAR BILL OF MATERIALS**

BAR NO.	SIZE	LENGTH	SHAPE
h	#4	1'-9"	
u	#4	8'-10"	
ITEM		UNIT	TOTAL
REINFORCEMENT BARS		POUND	40
CONCRETE COLLAR		CU YD	1.0



STA. 811+00  
 EXIST. 24" x 73' RCCP  
 PIPE CULV. W/ END SECTIONS

**RAMP D**



**CURVE RAMPD-2**  
 PI STA. 811+74.78  
 $\Delta = 44^\circ 47' 24''$  (RT)  
 $D = 7^\circ 30' 00''$   
 $R = 763.94'$   
 $T = 314.80'$   
 $L = 597.20'$   
 $E = 62.32'$   
 $S.E. = 8.0\%$   
 P.C. STA. 808+59.99  
 P.T. STA. 814+57.19

FILE NAME =	USER NAME = laughlinr1	DESIGNED -	REVISED -
e:\pwwork\pwwid\LAUGHLINRL\0184389\7016PP06.SHT		DRAWN - AAD	REVISED -
PLOT SCALE = NONE		CHECKED - JAC	REVISED -
PLOT DATE = Feb-11-2010 08:58:44AM		DATE - 06/11/07	REVISED -

**STATE OF ILLINOIS  
 DEPARTMENT OF TRANSPORTATION**

<b>I-72 PLAN</b>			
<b>STA. 298 + 00 TO STA. 313 + 00</b>			
SCALE:	SHEET NO.	OF SHEETS	STA. TO STA.

F.A.I. RTE.	SECTION	COUNTY	TOTAL SHEETS	SHEET NO.
72	(84-10-2)RS-3, (84-10-3)RS-4	SANGAMON	61	34
CONTRACT NO. 72910				
FED. ROAD DIST. NO. 2 (ILLINOIS) FED. AID PROJECT				